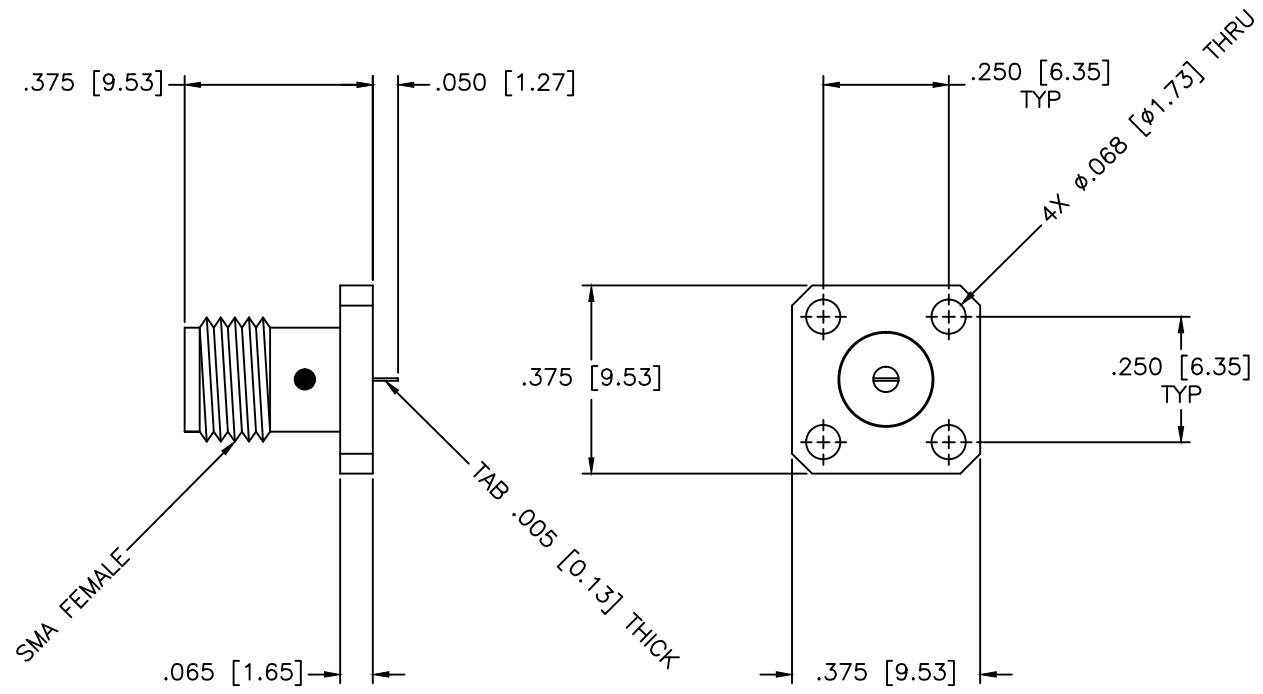


REVISIONS				
ZONE	REV	DESCRIPTION	Date	APPROVED



**SPECIFICATIONS**

Frequency Range: DC-18 GHz  
 VSWR: 1.10 Max.  
 Impedance: 50 OHMS  
 Temperature Range: -65°C to +85°C

**MATERIAL & FINISHING**

Shell: Stainless steel, Passivated  
 Contact: Copper, Gold plated  
 Insulator: PTFE Teflon

MATERIAL:		<b>MCLI</b> MICROWAVE COMMUNICATIONS LABORATORIES INC. 7255 30TH AVE. N. SAINT PETERSBURG, FL 33710 TEL: (727) 344-6254 FAX: (727) 381-8116 <a href="http://www.mcli.com">http://www.mcli.com</a>	SCALE:	N/A
DRAWING TITLE:			SHEET:	N/A
UNLESS OTHERWISE SPECIFIED: TOLERANCES IN (INCHES) OR (mm) (MILLIMETERS) FRACTIONS: ± 1/64 DECIMALS: ± 0.01 ± 0.05 ANGLE: ± 1/2°		PART NO. MC18-300		
DRAWN:	DATE:	<small>PROPRIETARY NOTICE:          THE INFORMATION IN THIS DRAWING IS PROPRIETARY          AND SHALL NOT BE USED OR DISCLOSED WITHOUT WRITTEN          PERMISSION FROM MICROWAVE COMMUNICATIONS          LABORATORIES INC. (MCLI)</small>	CAGE CODE:	SIZE: N/A
APPROVED:	DATE:		OD2L5	REV: A
Paiboon Luekhamhan T. Nguyen		DO NOT SCALE THE DRAWING		