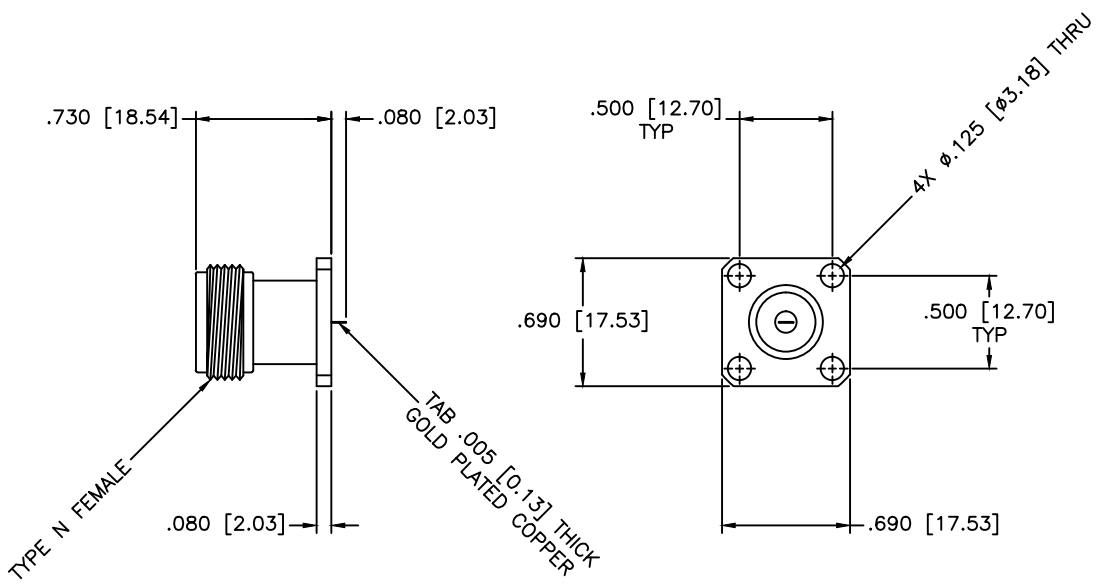


REVISIONS				
ZONE	REV	DESCRIPTION	DATE	APPROVED



SPECIFICATIONS

Frequency Range: DC-8 GHz
 VSWR: 1.19 Max.
 Voltage Rating: 1,000 VRMS
 Dielectric Withstanding Voltage: 2,500 VRMS Min.
 Impedance: 50 OHMS
 Temperature Range: -55°C to +85°C

MATERIAL & FINISHING
 Shell: Brass, Nickel plated
 Contact: Copper, Gold plated
 Insulator: PTFE Teflon

MATERIAL:			MICROWAVE COMMUNICATIONS LABORATORIES INC. 7255 30TH AVE. N. SAINT PETERSBURG, FL 33710 TEL: (727) 344-6254 FAX: (727) 381-6116 http://WWW.MCLI.COM		SCALE:	N/A	
			UNLESS OTHERWISE SPECIFIED: TOLERANCES IN (INCHES) OR [mm] (MILLIMETERS) FRACTIONS: ± 1/64 DECIMALS: ±.01 ±.005 ANGLE: ±1/2°		DRAWING TITLE:	TYPE N FEMALE CONNECTOR	
DRAWN:		DATE:		PART NO.			MC12-220
Paihoon Luethamhan		04-30-2009		CAGE CODE:			
APPROVED:		DATE:		SIZE:		REV:	DWG NO.
T. Nguyen		04-30-2009		A		N/A	84393
		PROPRIETARY NOTICE: THE INFORMATION IN THIS DRAWING IS PROPRIETARY AND SHALL NOT BE USED OR DISCLOSED WITHOUT WRITTEN PERMISSION FROM MICROWAVE COMMUNICATIONS LABORATORIES INC. (MCLI)		DO NOT SCALE THE DRAWING			
		THIRD ANGLE PROJECTION		OD2L5			