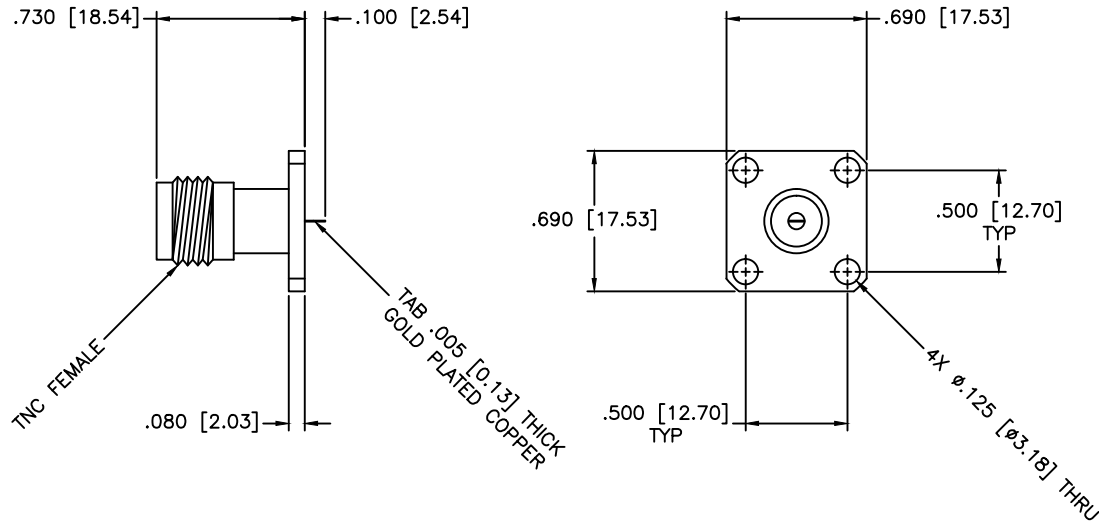


| REVISIONS | | | | |
|-----------|-----|-------------|------|----------|
| ZONE | REV | DESCRIPTION | DATE | APPROVED |



SPECIFICATIONS

Frequency Range: DC-11 GHz
 VSWR: 1.18 Max.
 Impedance: 50 OHMS
 Temperature Range: -55°C to +85°C

MATERIAL & FINISHING

Shell: Brass, Nickel plated
 Contact: Copper, Gold plated
 Insulator: PTFE Teflon

| | | | | |
|---|--|--|----------|---------------|
| MATERIAL: | | MICROWAVE COMMUNICATIONS LABORATORIES INC. 7255 30TH AVE. N. SAINT PETERSBURG, FL 33710 TEL: (727) 344-6254 FAX: (727) 381-6116 http://WWW.MCLI.COM | SCALE: | N/A |
| | | | SHEET: | N/A |
| UNLESS OTHERWISE SPECIFIED: TOLERANCES IN (INCHES) OR [mm] (MILLIMETERS) FRACTIONS: $\pm 1/64$ DECIMALS: $\pm .01 \pm .005$ ANGLE: $\pm 1/2^\circ$ | | DRAWING TITLE: TNC FEMALE CONNECTOR | | |
| DRAWN: Paiboon Luekhamhan | | PART NO. MC08-450 | | |
| DATE: 05-29-2008 | | CAGE CODE: OD2L5 | | |
| APPROVED: T. Nguyen | | DATE: 05-29-2008 | | |
| PROPRIETARY NOTICE: THE INFORMATION IN THIS DRAWING IS PROPRIETARY AND SHALL NOT BE USED OR DISCLOSED WITHOUT WRITTEN PERMISSION FROM MICROWAVE COMMUNICATIONS LABORATORIES INC. (MCLI) | | SIZE: A | REV: N/A | DWG NO. 80572 |
| THIRD ANGLE PROJECTION | | DO NOT SCALE THE DRAWING | | |