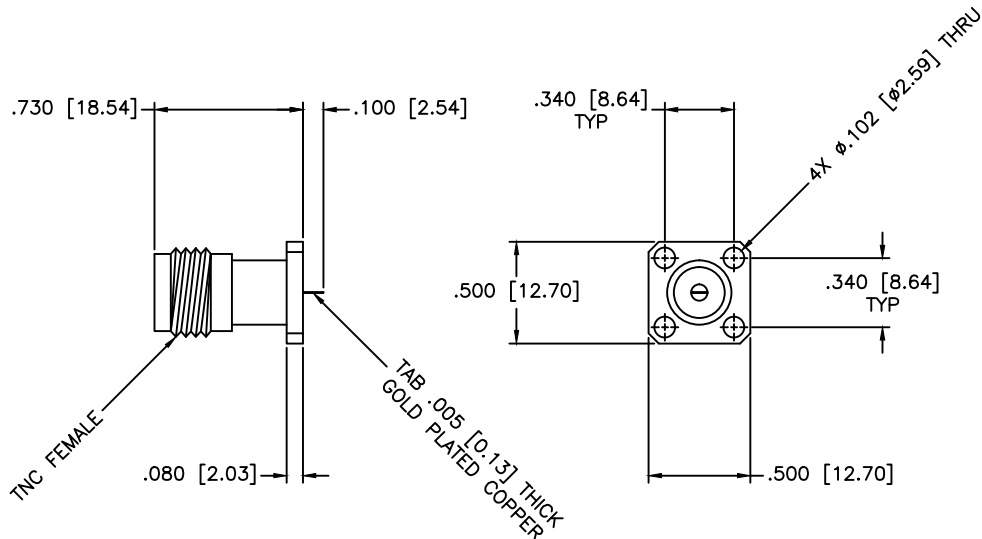


REVISIONS				
ZONE	REV	DESCRIPTION	DATE	APPROVED



SPECIFICATIONS

Frequency Range: DC-11 GHz
 VSWR: 1.18 Max.
 Impedance: 50 OHMS
 Temperature Range: -55°C to +85°C

MATERIAL & FINISHING

Shell: Brass, Nickel plated
 Contact: Copper, Gold plated
 Insulator: PTFE Teflon

MATERIAL:			MICROWAVE COMMUNICATIONS LABORATORIES INC. 7255 30TH AVE. N. SAINT PETERSBURG, FL 33710 TEL: (727) 344-6254 FAX: (727) 381-6116 http://WWW.MCLI.COM		SCALE:	N/A
			UNLESS OTHERWISE SPECIFIED: TOLERANCES IN (INCHES) OR [mm] (MILLIMETERS) FRACTIONS: ± 1/64 DECIMALS: ±.01 ±.005 ANGLE: ±1/2°		DRAWING TITLE:	TNC FEMALE CONNECTOR
DRAWN:		PROPRIETARY NOTICE: THE INFORMATION IN THIS DRAWING IS PROPRIETARY AND SHALL NOT BE USED OR DISCLOSED WITHOUT WRITTEN PERMISSION FROM MICROWAVE COMMUNICATIONS LABORATORIES INC. (MCLI)		PART NO.	MC08-430	
APPROVED:		THIRD ANGLE PROJECTION 		CAGE CODE:	SIZE: A	REV: N/A
DATE: 05-29-2008		DATE: 05-29-2008		OD2L5	DO NOT SCALE THE DRAWING	
DRAWN: Paiboon Luekhamhan				DWG NO. 81150		