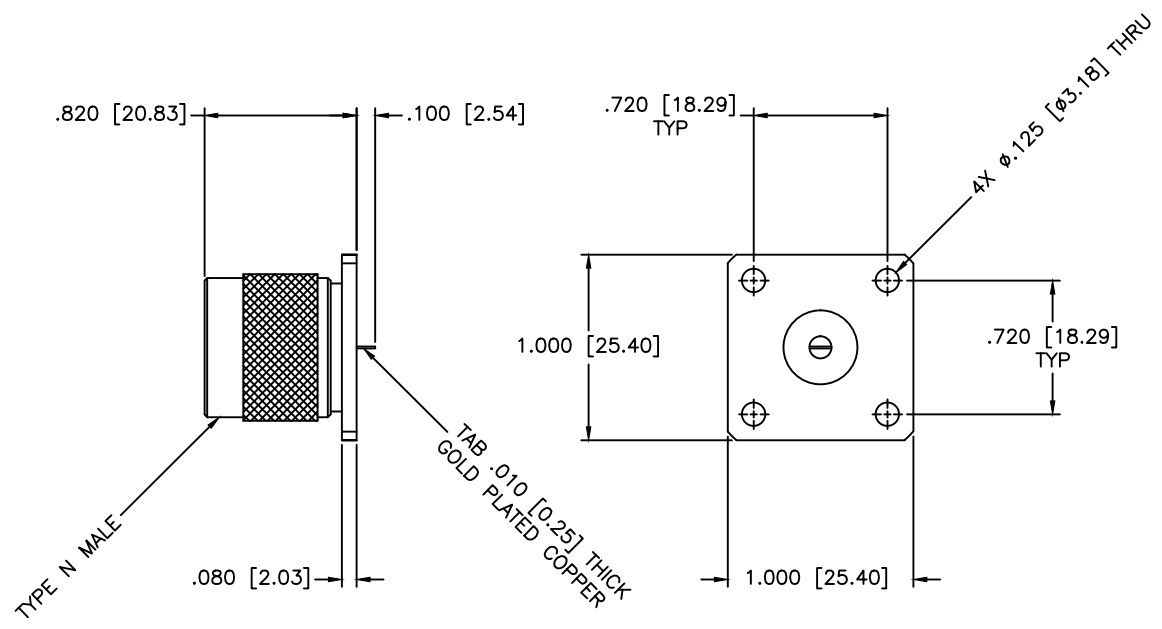


REVISIONS				
ZONE	REV	DESCRIPTION	DATE	APPROVED



**SPECIFICATIONS**

Frequency Range: DC-8 GHz  
 VSWR: 1.19 Max.  
 Voltage Rating: 1,000 VRMS  
 Dielectric Withstanding Voltage: 2,500 VRMS Min.  
 Impedance: 50 OHMS  
 Temperature Range: -55°C to +85°C

**MATERIAL & FINISHING**

Shell: Brass, Nickel plated  
 Contact: Copper, Gold plated  
 Insulator: PTFE Teflon

MATERIAL:			MICROWAVE COMMUNICATIONS LABORATORIES INC. 7255 30TH AVE. N. SAINT PETERSBURG, FL 33710 TEL: (727) 344-6254 FAX: (727) 381-6116 http://WWW.MCLI.COM		SCALE:	N/A			
			UNLESS OTHERWISE SPECIFIED: TOLERANCES IN (INCHES) OR [mm] (MILLIMETERS) FRACTIONS: ± 1/64 DECIMALS: ±.01 ±.005 ANGLE: ±1/2°		DRAWING TITLE:	TYPE N MALE CONNECTOR			
DRAWN:		DATE:		PART NO.			DWG NO.		
Paiboon luekhamhan		02-19-2007		MC08-240M					
APPROVED:		DATE:		CAGE CODE:	SIZE:	REV:	82780		
T. Nguyen		02-19-2007		OD2L5	A	N/A			
PROPRIETARY NOTICE: THE INFORMATION IN THIS DRAWING IS PROPRIETARY AND SHALL NOT BE USED OR DISCLOSED WITHOUT WRITTEN PERMISSION FROM MICROWAVE COMMUNICATIONS LABORATORIES INC. (MCLI)				THIRD ANGLE PROJECTION 				DO NOT SCALE THE DRAWING	