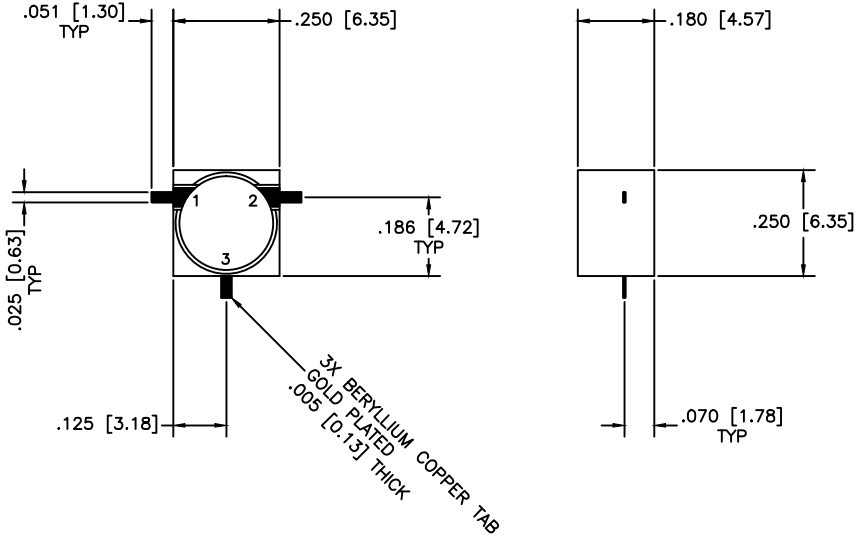


REVISIONS				
ZONE	REV	DESCRIPTION	DATE	APPROVED



SPECIFICATIONS

Frequency Range: 21.2–23.6 GHz
 Isolation: 18dB Min.
 Insertion loss: 0.7dB Max.
 VSWR: 1.30:1 Max.
 Operating Temperature: -40°C to +85°C
 Power: 10 Watts

MATERIAL:			MICROWAVE COMMUNICATIONS LABORATORIES INC. 7255 30TH AVE. N. SAINT PETERSBURG, FL 33710 TEL: (727) 344-6254 FAX: (727) 381-6116 http://WWW.MCLI.COM		SCALE: N/A
			UNLESS OTHERWISE SPECIFIED: TOLERANCES IN (INCHES) OR [mm] (MILLIMETERS) FRACTIONS: ± 1/64 DECIMALS: ±.01 ±.005 ANGLE: ±1/2°		SHEET: N/A
DRAWN: Paiboon Luexhamhan		DATE: 02-21-2011		DRAWING TITLE: DROP-IN CIRCULATOR	
APPROVED: T. Nguyen		DATE: 02-21-2011		PART NO. MC-78	
		PROPRIETARY NOTICE: THE INFORMATION IN THIS DRAWING IS PROPRIETARY AND SHALL NOT BE USED OR DISCLOSED WITHOUT WRITTEN PERMISSION FROM MICROWAVE COMMUNICATIONS LABORATORIES INC. (MCLI)		CAGE CODE: OD2L5	SIZE: N/A DO NOT SCALE THE DRAWING
		THIRD ANGLE PROJECTION 		REV: N/A	DWG NO. 85555