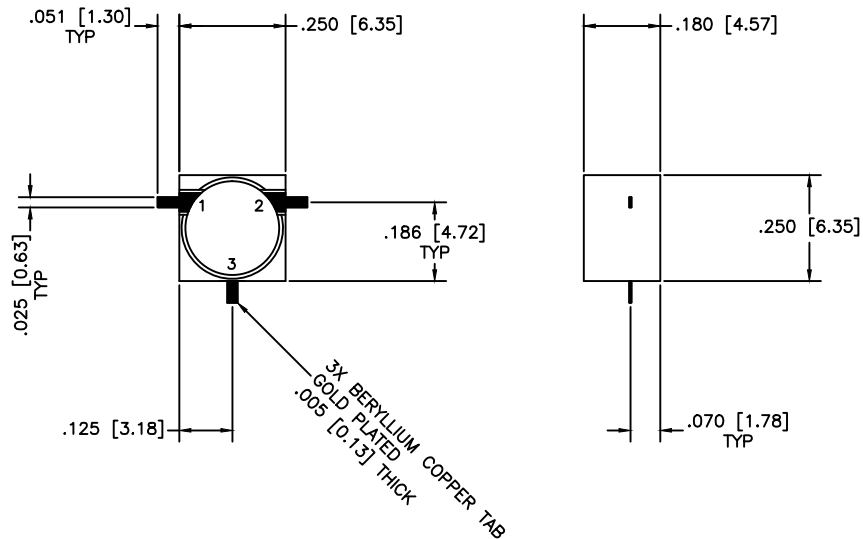


REVISIONS				
ZONE	REV	DESCRIPTION	DATE	APPROVED



SPECIFICATIONS

Frequency Range: 18.4–19 GHz
 Isolation: 20dB Min.
 Insertion loss: 0.6dB Max.
 VSWR: 1.25:1 Max.
 Operating Temperature: -40°C to +85°C
 Power: 10 Watts

MATERIAL:		MICROWAVE COMMUNICATIONS LABORATORIES INC. 7255 30TH AVE. N. SAINT PETERSBURG, FL 33710 TEL: (727) 344-6254 FAX: (727) 381-6116 http://WWW.MCLI.COM	SCALE:	N/A
			SHEET:	N/A
		UNLESS OTHERWISE SPECIFIED: TOLERANCES IN (INCHES) OR [mm] (MILLIMETERS) FRACTIONS: ± 1/64 DECIMALS: ±.01 ±.005 ANGLE: ±1/2°	DRAWING TITLE: DROP-IN CIRCULATOR	
DRAWN: Paiboon Luekhamhan		DATE: 02-21-2011	PART NO. MC-76	
APPROVED: T. Nguyen		DATE: 02-21-2011	CAGE CODE: 0D2L5	SIZE: N/A REV: N/A DWG NO.: 85553
		PROPRIETARY NOTICE: THE INFORMATION IN THIS DRAWING IS PROPRIETARY AND SHALL NOT BE USED OR DISCLOSED WITHOUT WRITTEN PERMISSION FROM MICROWAVE COMMUNICATIONS LABORATORIES INC. (MCLI)	DO NOT SCALE THE DRAWING	
		THIRD ANGLE PROJECTION		