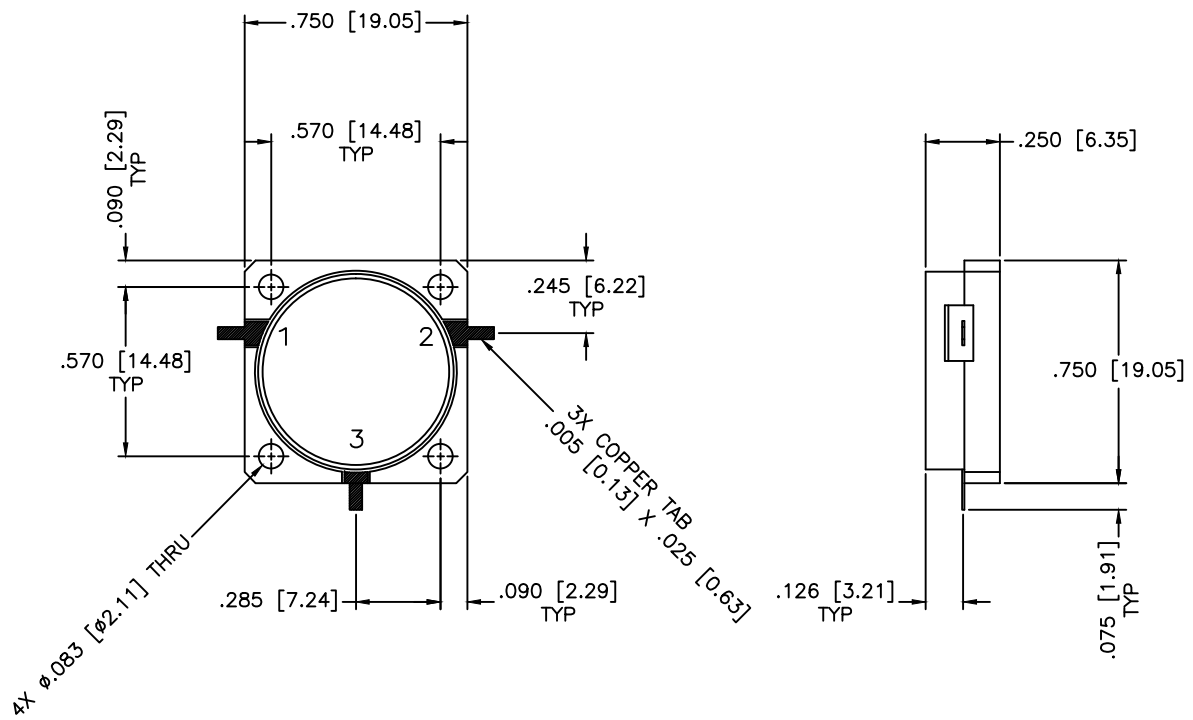


REVISIONS				
ZONE	REV	DESCRIPTION	DATE	APPROVED



**SPECIFICATIONS**

Frequency Range: 2.3–2.5 GHz  
 Insertion Loss: 0.5dB Max.  
 Isolation: 20dB Min.  
 VSWR: 1.20:1 Max.  
 Impedance Nominal: 50 Ohms  
 Power Rating: 1 Watt  
 Operating Temperature: -54°C to +95°C

MATERIAL:		<b>MCLI</b> MICROWAVE COMMUNICATIONS LABORATORIES INC. 7255 30TH AVE. N. SAINT PETERSBURG, FL 33710 TEL: (727) 344-6254 FAX: (727) 381-6116 <a href="http://www.MCLI.COM">http://www.MCLI.COM</a>	SCALE:	N/A			
			SHEET:	N/A			
UNLESS OTHERWISE SPECIFIED: TOLERANCES IN (INCHES) OR [mm] (MILLIMETERS) FRACTIONS: ± 1/64 DECIMALS: ±.01 ±.005 ANGLE: ±1/2°		DRAWING TITLE: <b>DROP-IN ISOLATOR &amp; CIRCULATOR</b>					
DRAWN: Paiboon Luekhamhan		PART NO. <b>MC-7</b>					
DATE: 01-22-2008		CAGE CODE: OD2L5					
APPROVED: T. Nguyen		DATE: 01-22-2008					
		SIZE:	N/A	REV:	N/A	DWG NO.	83044
		DO NOT SCALE THE DRAWING					