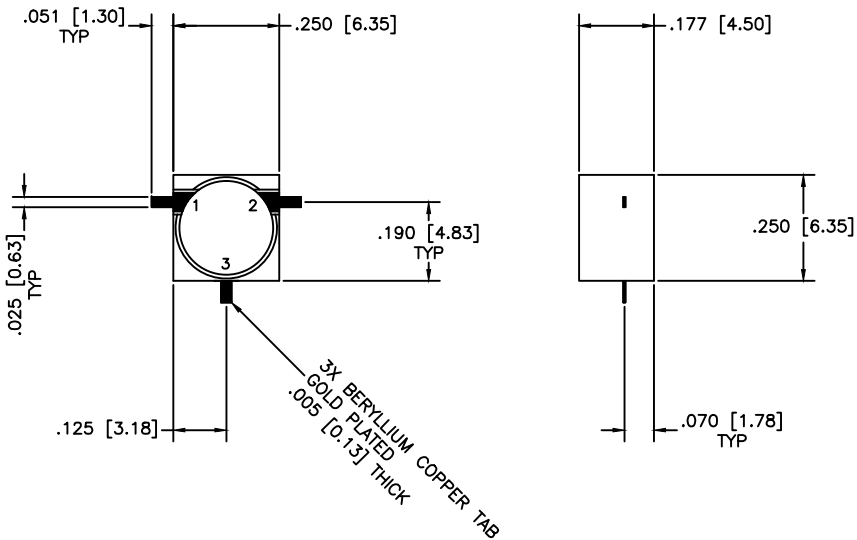


REVISIONS				
ZONE	REV	DESCRIPTION	DATE	APPROVED



**SPECIFICATIONS**

Frequency Range: 24–24.3 GHz  
 Isolation: 20dB Min.  
 Insertion loss: 1.0dB Max.  
 VSWR: 1.30:1 Max.  
 Operating Temperature: –40°C to +85°C  
 Power: 2 Watts

MATERIAL:			MICROWAVE COMMUNICATIONS LABORATORIES INC. 7255 30TH AVE. N. SAINT PETERSBURG, FL 33710 TEL: (727) 344-6254 FAX: (727) 381-6116 http://WWW.MCLI.COM		SCALE: N/A
			UNLESS OTHERWISE SPECIFIED: TOLERANCES IN (INCHES) OR (mm) (MILLIMETERS) FRACTIONS: ± 1/64 DECIMALS: ±.01 ±.005 ANGLE: ±1/2°		SHEET: N/A
DRAWN: Paiboon Luekhamhan		DATE: 04-16-2009		DRAWING TITLE: DROP-IN CIRCULATOR	
APPROVED: T. Nguyen		DATE: 04-16-2009		PART NO. MC-69	
		PROPRIETARY NOTICE: THE INFORMATION IN THIS DRAWING IS PROPRIETARY AND SHALL NOT BE USED OR DISCLOSED WITHOUT WRITTEN PERMISSION FROM MICROWAVE COMMUNICATIONS LABORATORIES INC. (MCLI)		CAGE CODE: OD2L5	SIZE: N/A
		THIRD ANGLE PROJECTION 		REV: N/A	DWG NO. 84373
DO NOT SCALE THE DRAWING					