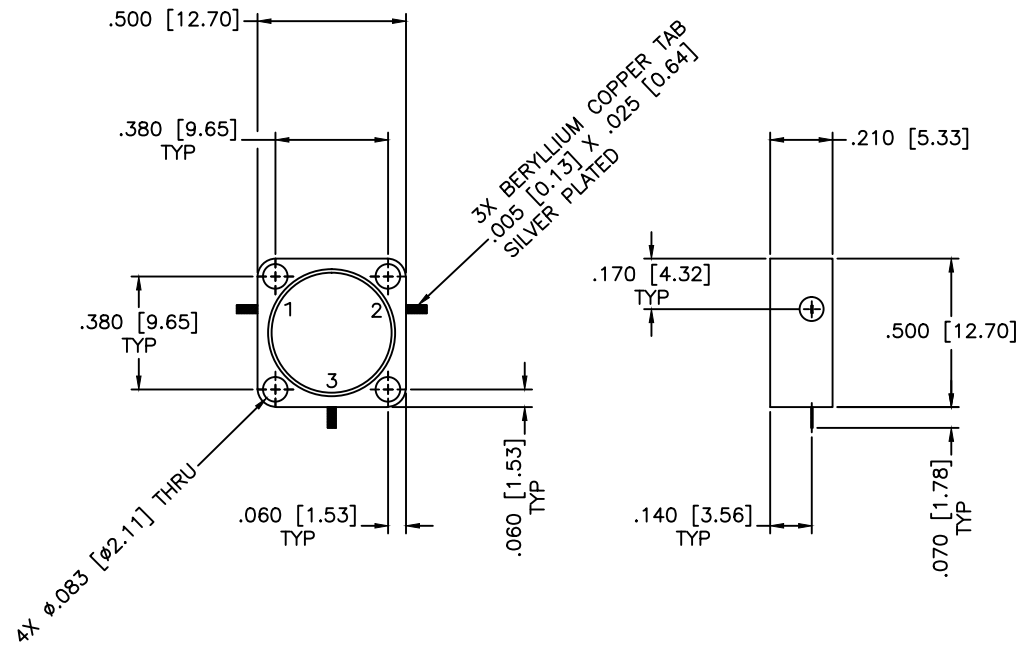


REVISIONS				
ZONE	REV	DESCRIPTION	Date	APPROVED



SPECIFICATIONS

Frequency Range: 12.5–18 GHz
 Isolation: 17dB Min.
 Insertion loss: 0.8dB Max.
 VSWR: 1.35:1 Max.
 Operating Temperature: -30°C to +70°C
 Power: 25W Avg. 200W Peak

MATERIAL:		MCLI MICROWAVE COMMUNICATIONS LABORATORIES INC. 7255 30TH AVE. N. SAINT PETERSBURG, FL 33710 TEL: (727) 344-6254 FAX: (727) 381-6116 http://WWW.MCLI.COM	SCALE: N/A
			SHEET: N/A
UNLESS OTHERWISE SPECIFIED: TOLERANCES IN (INCHES) OR [mm] (MILLIMETERS) FRACTIONS: $\pm 1/64$ DECIMALS: $\pm .01 \pm .005$ ANGLE: $\pm 1/2^\circ$		DRAWING TITLE: DROP-IN CIRCULATOR	
DRAWN: Paiboon Luekhamhan		PART NO.: MC-68	
DATE: 02-18-2011		CAGE CODE: OD2L5	
APPROVED: T. Nguyen		SIZE: N/A	REV: N/A
DATE: 02-18-2011		DWG NO.: 85543	
THIRD ANGLE PROJECTION 		DO NOT SCALE THE DRAWING	