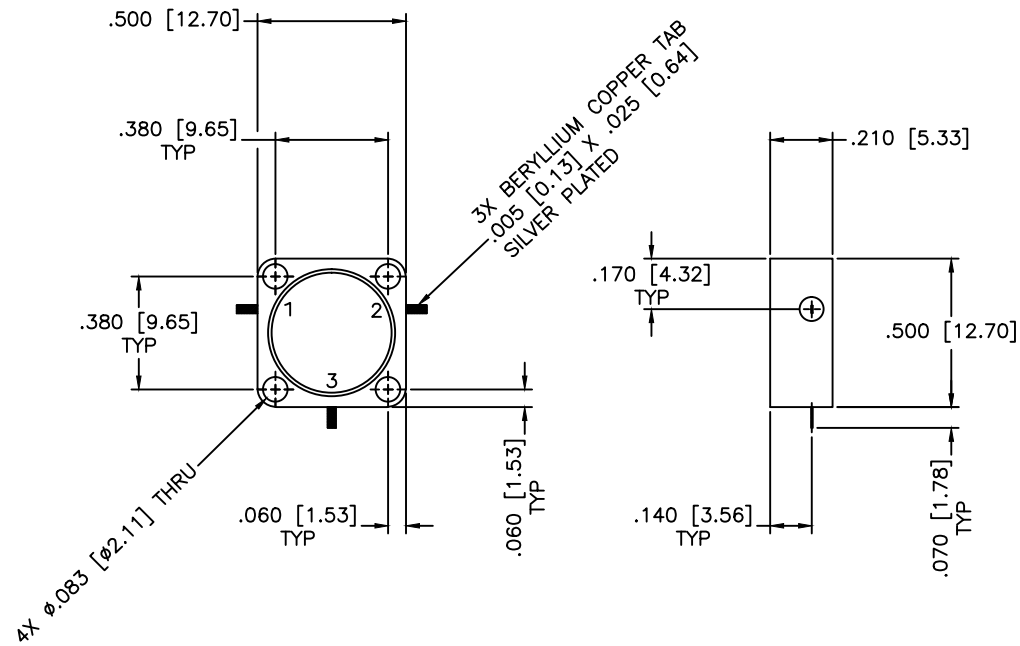


REVISIONS				
ZONE	REV	DESCRIPTION	Date	APPROVED



SPECIFICATIONS

Frequency Range: 14.5–15.5 GHz
 Isolation: 25dB Min.
 Insertion loss: 0.5dB Max.
 VSWR: 1.15:1 Max.
 Operating Temperature: -40°C to $+85^{\circ}\text{C}$
 Power: 25W Avg.

MATERIAL:		MCLI MICROWAVE COMMUNICATIONS LABORATORIES INC. 7255 30TH AVE. N. SAINT PETERSBURG, FL 33710 TEL: (727) 344-6254 FAX: (727) 381-6116 http://WWW.MCLI.COM	SCALE:	N/A
			SHEET:	N/A
UNLESS OTHERWISE SPECIFIED: TOLERANCES IN (INCHES) OR [mm] (MILLIMETERS) FRACTIONS: $\pm 1/64$ DECIMALS: $\pm .01 \pm .005$ ANGLE: $\pm 1/2^{\circ}$		DRAWING TITLE: DROP-IN CIRCULATOR		
DRAWN: Paiboon Luekhamhan		PART NO. MC-65-25		
DATE: 12-08-2011		CAGE CODE:		
APPROVED: T. Nguyen		DATE: 12-08-2011		
THIRD ANGLE PROJECTION		SIZE: N/A REV: N/A DWG NO. 85951		
		OD2L5 DO NOT SCALE THE DRAWING		