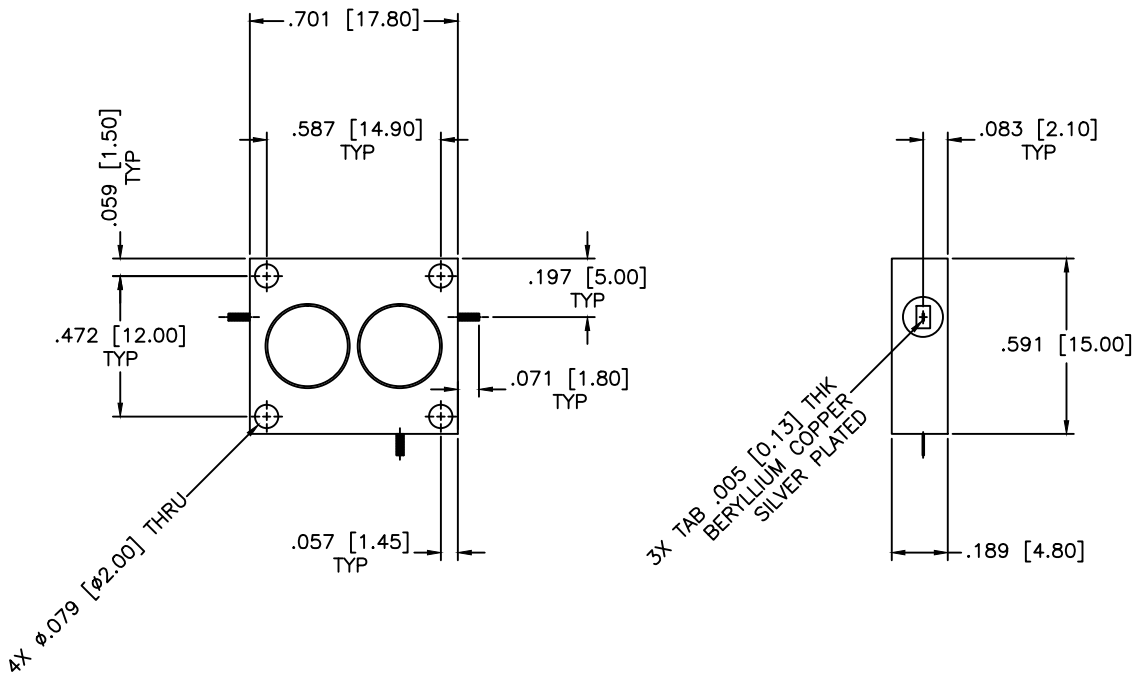


REVISIONS				
ZONE	REV	DESCRIPTION	DATE	APPROVED



**SPECIFICATIONS**

Frequency Range: 10.2–10.6 GHz  
 Insertion Loss Port 1–2: –0.6dB  
 Isolation Port 1–2: 40dB Min.  
 VSWR: 1.25:1 Max.  
 Operating Temperature: –40°C to +85°C

MATERIAL:			MICROWAVE COMMUNICATIONS LABORATORIES INC. 7255 30TH AVE. N. SAINT PETERSBURG, FL 33710 TEL: (727) 344-6254 FAX: (727) 381-6116 http://WWW.MCLI.COM		SCALE:	N/A
			UNLESS OTHERWISE SPECIFIED: TOLERANCES IN (INCHES) OR [mm] (MILLIMETERS) FRACTIONS: ± 1/64 DECIMALS: ±.01 ±.005 ANGLE: ±1/2°	DRAWING TITLE:		SHEET:
DRAWN:		PART NO.		DROP-IN CIRCULATOR		
DATE:		MC-64				
DRAWN: Paiboon Luekhamhan		DATE: 11-26-2013		PROPRIETARY NOTICE: THE INFORMATION IN THIS DRAWING IS PROPRIETARY AND SHALL NOT BE USED OR DISCLOSED WITHOUT WRITTEN PERMISSION FROM MICROWAVE COMMUNICATIONS LABORATORIES INC. (MCLI)		
APPROVED: T. Nguyen		DATE: 11-26-2013		CAGE CODE:	SIZE: N/A	REV: N/A
		THIRD ANGLE PROJECTION		OD2L5	DWG NO. 86465	
				DO NOT SCALE THE DRAWING		