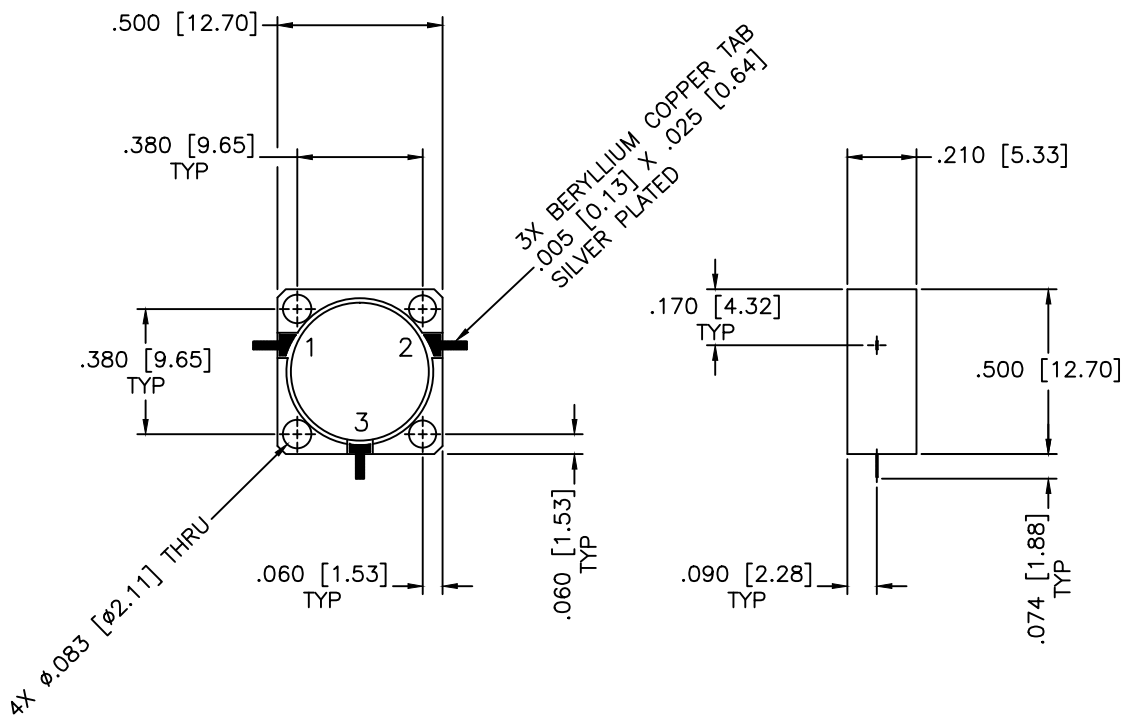


REVISIONS				
ZONE	REV	DESCRIPTION	DATE	APPROVED



SPECIFICATIONS

Frequency Range: 6.88–7.98 GHz
 Isolation: 15dB Min.
 Insertion loss: 0.7dB Max.
 VSWR: 1.50:1 Max.
 Operating Temperature: -54°C to +85°C

MATERIAL:		MCLI MICROWAVE COMMUNICATIONS LABORATORIES INC. 7255 30TH AVE. N. SAINT PETERSBURG, FL 33710 TEL: (727) 344-6254 FAX: (727) 381-6116 http://WWW.MCLI.COM	SCALE:	N/A
			SHEET:	N/A
DRAWING TITLE:		DROP-IN CIRCULATOR		
PART NO.:		MC-63		
DRAWN:	DATE:	<small>UNLESS OTHERWISE SPECIFIED: TOLERANCES IN (INCHES) OR [mm] (MILLIMETERS) FRACTIONS: $\pm 1/64$ DECIMALS: $\pm 0.01 \pm 0.005$ ANGLE: $\pm 1/2^\circ$</small>	CAGE CODE:	SIZE: N/A
APPROVED:	DATE:		OD2L5	REV: N/A
<small>PROPRIETARY NOTICE: THE INFORMATION IN THIS DRAWING IS PROPRIETARY AND SHALL NOT BE USED OR DISCLOSED WITHOUT WRITTEN PERMISSION FROM MICROWAVE COMMUNICATIONS LABORATORIES INC. (MCLI)</small>		<small>THIRD ANGLE PROJECTION</small> 	DWG NO. 86468 DO NOT SCALE THE DRAWING	