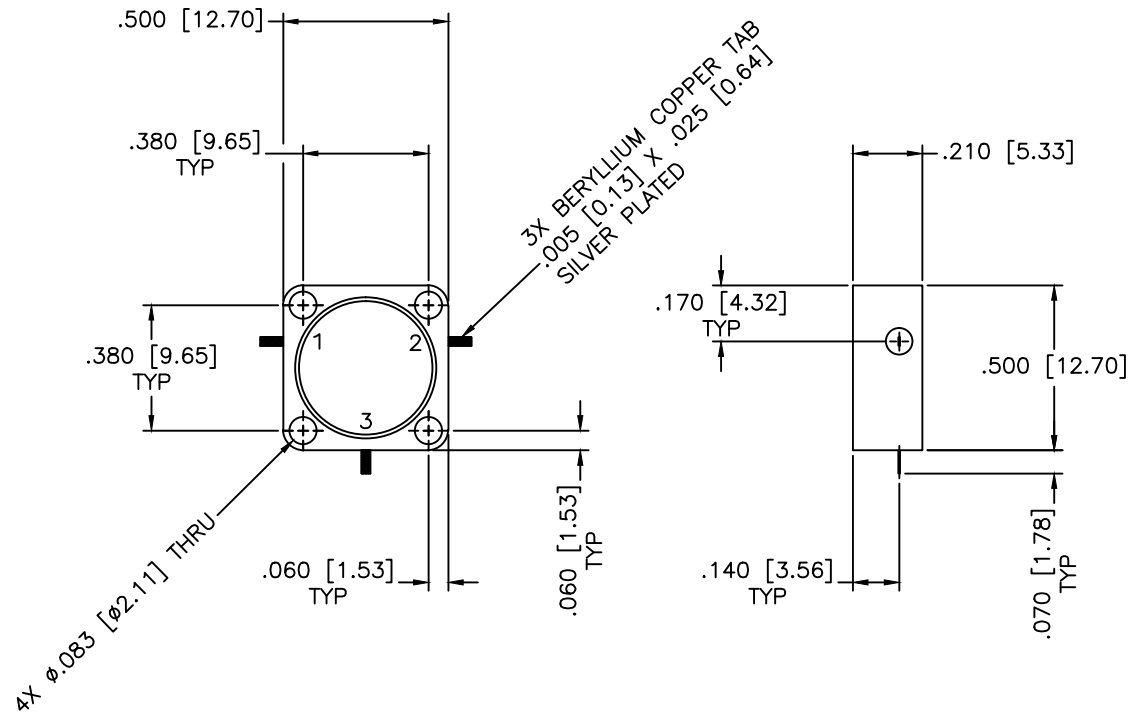


REVISIONS				
ZONE	REV	DESCRIPTION	Date	APPROVED



SPECIFICATIONS

Frequency Range: 4.40–4.45 GHz
 Isolation: 20dB Min.
 Insertion loss: 0.5dB Max.
 VSWR: 1.25:1 Max.
 Operating Temperature: –40°C to +85°C
 Power: 25W Avg, 200W Peak

MATERIAL:		MCLI MICROWAVE COMMUNICATIONS LABORATORIES INC. 7255 30TH AVE. N. SAINT PETERSBURG, FL 33710 TEL: (727) 344-6254 FAX: (727) 381-6116 http://WWW.MCLI.COM	SCALE: N/A
			SHEET: N/A
UNLESS OTHERWISE SPECIFIED: TOLERANCES IN (INCHES) OR [mm] (MILLIMETERS) FRACTIONS: ± 1/64 DECIMALS: ±.01 ±.005 ANGLE: ±1/2°		DRAWING TITLE: DROP-IN CIRCULATOR	
DRAWN: Paiboon Luekhamhan DATE: 06-21-2010		PART NO.: MC-61	
APPROVED: T. Nguyen DATE: 06-21-2010		CAGE CODE: OD2L5	SIZE: A REV: N/A DWG NO.: 84937
THIRD ANGLE PROJECTION		DO NOT SCALE THE DRAWING	