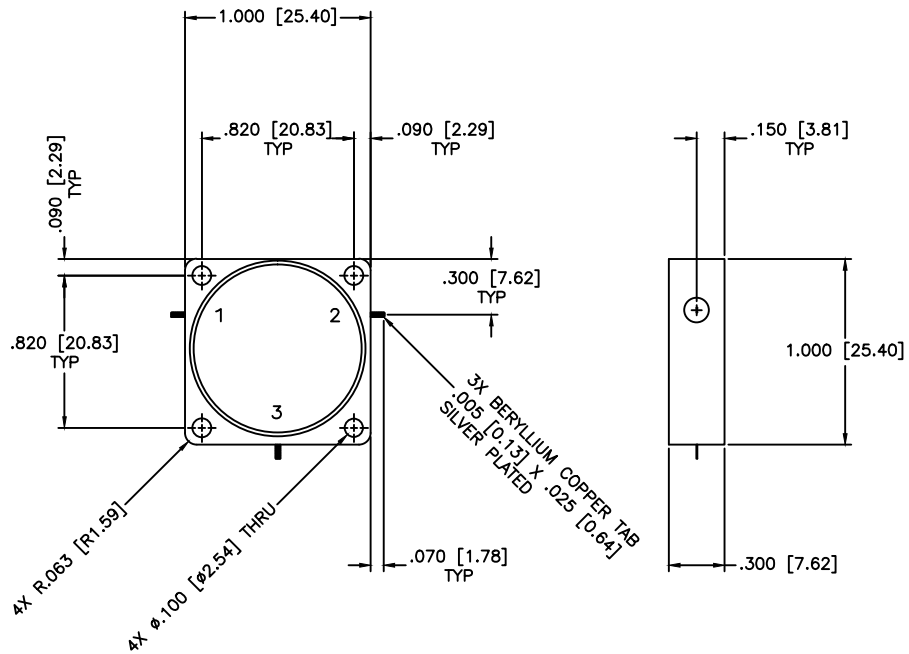


REVISIONS				
ZONE	REV	DESCRIPTION	Date	APPROVED



SPECIFICATIONS

Frequency Range: 1.17 MHz
 Isolation: 20dB Min.
 Insertion loss: 0.5dB Max.
 VSWR: 1.22:1 Max.
 Operating Temperature: -40°C to +85°C
 Power: 100W Avg, 500W Peak

MATERIAL:		MCLI MICROWAVE COMMUNICATIONS LABORATORIES INC. 7255 30TH AVE. N. SAINT PETERSBURG, FL 33710 TEL: (727) 344-6254 FAX: (727) 381-6116 http://WWW.MCLI.COM	SCALE:	N/A
			SHEET:	N/A
UNLESS OTHERWISE SPECIFIED: TOLERANCES IN (INCHES) OR [mm] (MILLIMETERS) FRACTIONS: ± 1/64 DECIMALS: ±.01 ±.005 ANGLE: ±1/2°		DRAWING TITLE: DROP-IN CIRCULATOR		
DRAWN: Paiboon Luekhamhan		PART NO. MC-60		
DATE: 06-21-2010		CAGE CODE: OD2L5		
APPROVED: T. Nguyen		SIZE: A		
DATE: 06-21-2010		REV: N/A		
THIRD ANGLE PROJECTION		DWG NO. 84920		
		DO NOT SCALE THE DRAWING		