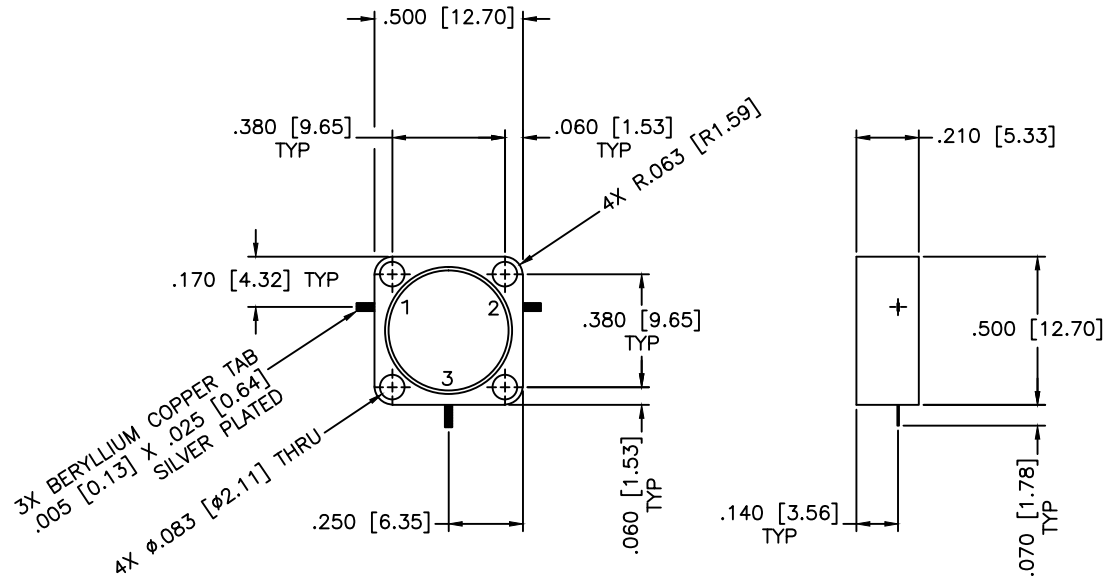


REVISIONS				
ZONE	REV	DESCRIPTION	Date	APPROVED



SPECIFICATIONS

Frequency Range: 8–12 GHz
 Insertion Loss: 0.7dB Max.
 Isolation: 17dB Min.
 VSWR: 1.45:1 Max.
 Power: 25W Avg. 200W Peak
 Operating Temperature: -30°C to +70°C

MATERIAL:		MCLI MICROWAVE COMMUNICATIONS LABORATORIES INC. 7255 30TH AVE. N. SAINT PETERSBURG, FL 33710 TEL: (727) 344-6254 FAX: (727) 381-6116 http://WWW.MCLI.COM	SCALE:	N/A
			SHEET:	N/A
UNLESS OTHERWISE SPECIFIED: TOLERANCES IN (INCHES) OR [mm] (MILLIMETERS) FRACTIONS: ± 1/64 DECIMALS: ±.01 ±.005 ANGLE: ±1/2°		DRAWING TITLE: DROP-IN CIRCULATOR		
DRAWN: Paiboon Luekhamhan		PART NO.: MC-59		
DATE: 02-18-2011		CAGE CODE: OD2L5		
APPROVED: T. Nguyen		DATE: 02-18-2011		
THIRD ANGLE PROJECTION		SIZE: A	REV: N/A	DWG NO. 85542
DO NOT SCALE THE DRAWING				