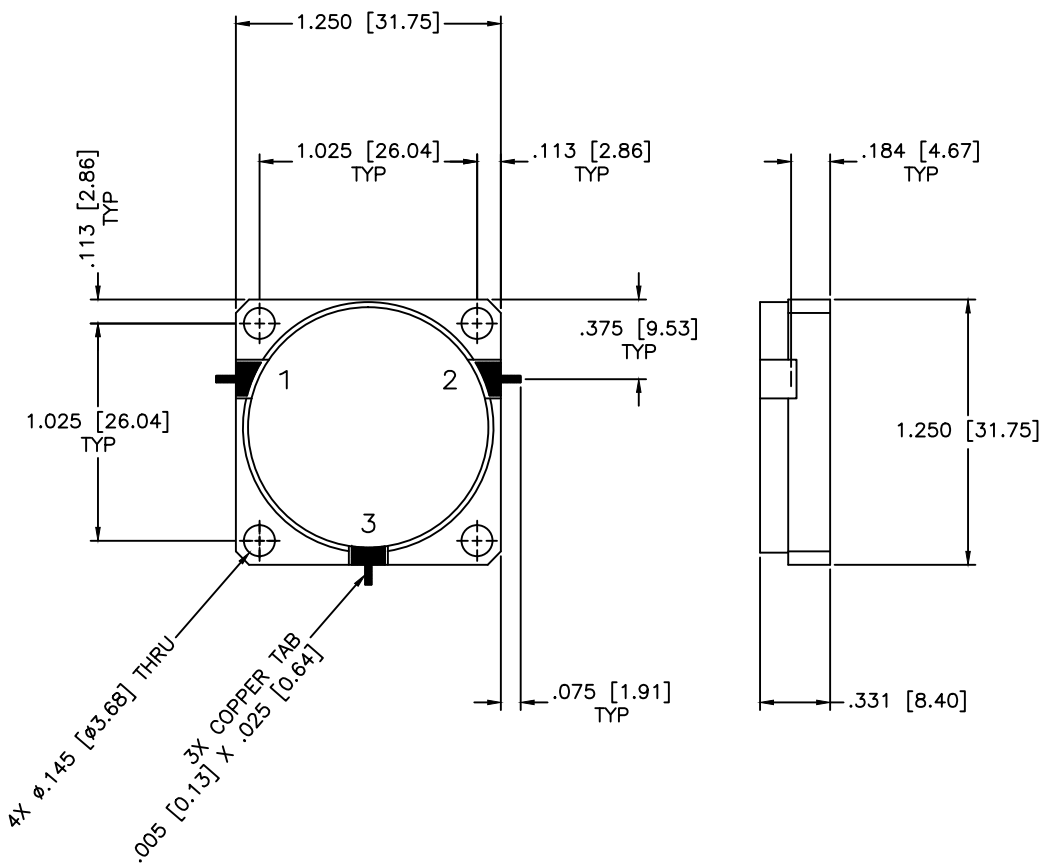


REVISIONS				
ZONE	REV	DESCRIPTION	DATE	APPROVED



**SPECIFICATIONS**

Frequency Range: 2-4 GHz  
 Isolation: 16dB Min.  
 Insertion loss: 0.70dB Max.  
 VSWR: 1.40:1 Max.  
 Operating Temperature: 0°C to +50°C  
 Circulator Power: 25W Avg. 200W Peak

MATERIAL:		MICROWAVE COMMUNICATIONS LABORATORIES INC. 7255 30TH AVE. N. SAINT PETERSBURG, FL 33710 TEL: (727) 344-6254 FAX: (727) 381-6116 http://WWW.MCLI.COM	SCALE:	N/A
			SHEET:	N/A
UNLESS OTHERWISE SPECIFIED: TOLERANCES IN (INCHES) OR [mm] (MILLIMETERS) FRACTIONS: ± 1/64 DECIMALS: ±.01 ±.005 ANGLE: ±1/2°		DRAWING TITLE:		
		DROP-IN CIRCULATOR		
DRAWN:		PART NO.		
Paiboon Luekhamhan		MC-49		
DATE:		CAGE CODE:	SIZE:	REV:
02-18-2011		OD2L5	N/A	N/A
APPROVED:		DO NOT SCALE THE DRAWING		DWG NO.
T. Nguyen				85546
DATE:		THIRD ANGLE PROJECTION		
02-18-2011				