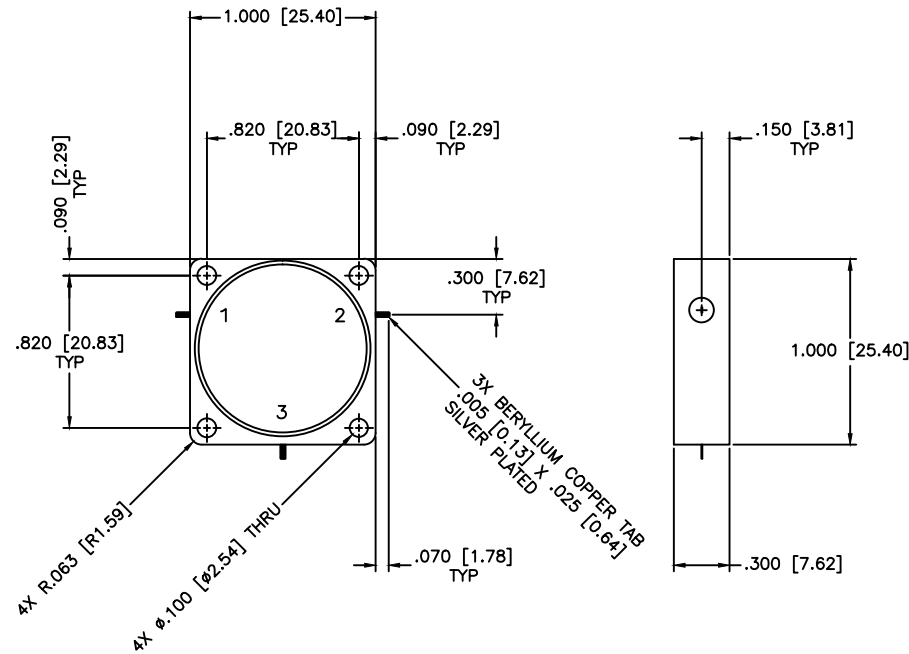


| REVISIONS |     |             |      |          |
|-----------|-----|-------------|------|----------|
| ZONE      | REV | DESCRIPTION | Date | APPROVED |



**SPECIFICATIONS**

Frequency Range: 790–860 MHz  
 Isolation: 18dB Min.  
 Insertion loss: 0.5dB Max.  
 VSWR: 1.30:1 Max.  
 Operating Temperature: –40°C to +85°C  
 Circulator Power: 100W Avg, 500W Peak

|   |  |  |        |                  |
|---|--|--|--------|------------------|
| MATERIAL:   |  | <b>MCLI</b> MICROWAVE COMMUNICATIONS LABORATORIES INC.<br>7255 30TH AVE. N. SAINT PETERSBURG, FL 33710<br>TEL: (727) 344-6254 FAX: (727) 381-6116<br><a href="http://WWW.MCLI.COM">http://WWW.MCLI.COM</a> | SCALE: | N/A              |
|   |  |  | SHEET: | N/A              |
| UNLESS OTHERWISE SPECIFIED:<br>TOLERANCES<br>IN (INCHES) OR [mm] (MILLIMETERS)<br>FRACTIONS: ± 1/64<br>DECIMALS: ±.01 ±.005<br>ANGLE: ±1/2°   |  | DRAWING TITLE:<br><b>DROP-IN CIRCULATOR</b>  |        |                  |
| DRAWN:<br>Paiboon Luekhamhan  |  | PART NO.<br><b>MC-47</b>   |        |                  |
| DATE:<br>06-21-2010   |  | CAGE CODE:<br>OD2L5  |        |                  |
| APPROVED:<br>T. Nguyen  |  | DATE:<br>06-21-2010  |        | DWG NO.<br>84967 |
| PROPRIETARY NOTICE:<br>THE INFORMATION IN THIS DRAWING IS PROPRIETARY<br>AND SHALL NOT BE USED OR DISCLOSED WITHOUT WRITTEN<br>PERMISSION FROM MICROWAVE COMMUNICATIONS<br>LABORATORIES INC. (MCLI) |  | SIZE: A REV: N/A<br>DO NOT SCALE THE DRAWING   |        |                  |

