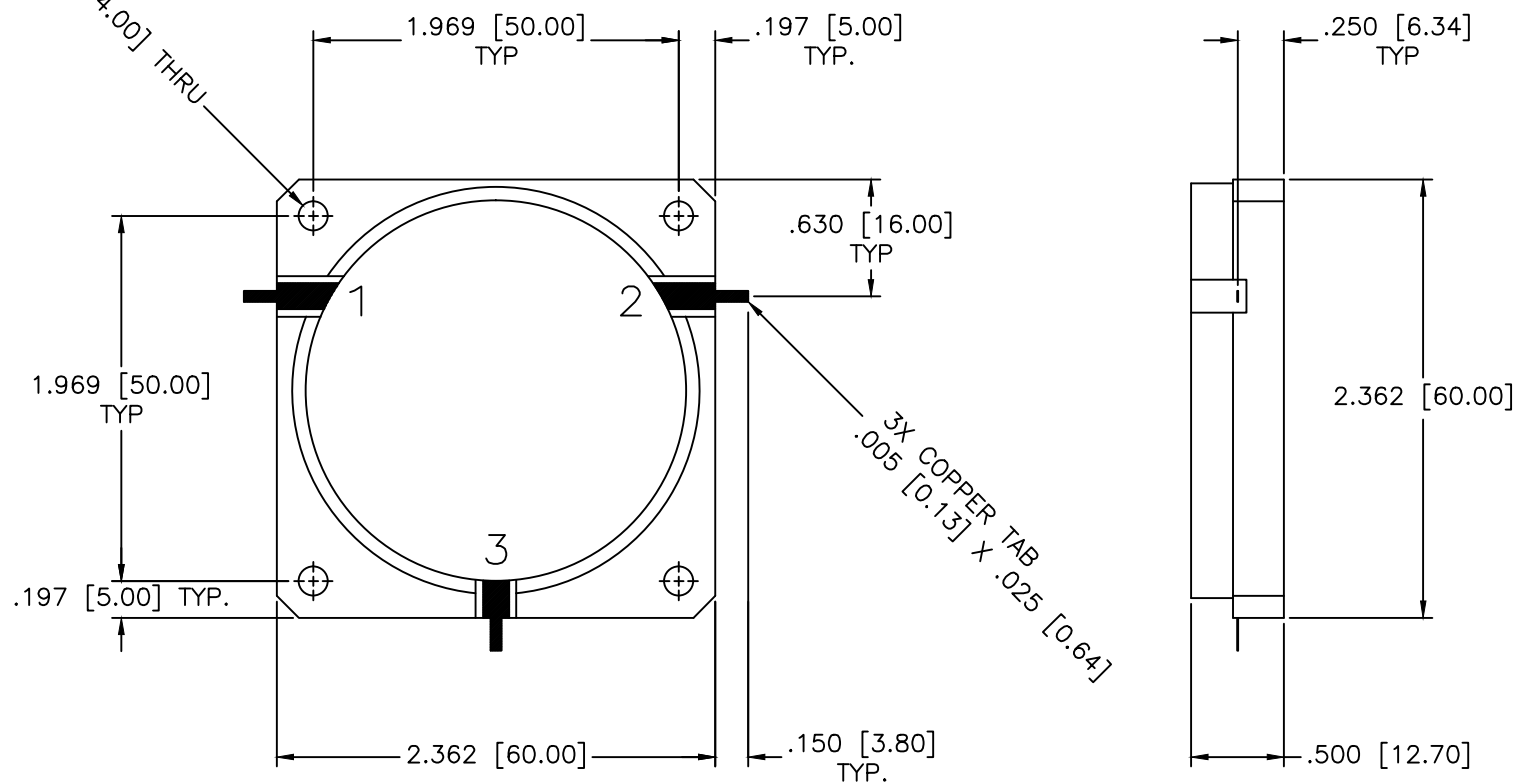


REVISIONS				
ZONE	REV	DESCRIPTION	DATE	APPROVED

4X ϕ .157 [ϕ 4.00] THRU



SPECIFICATIONS

Frequency Range: 1–2 GHz
 Isolation: 16dB Min.
 Insertion loss: 0.70dB Max.
 VSWR: 1.40:1 Max.
 Operating Temperature: +10°C to +50°C
 Power: 50W Avg. 500W Peak

MATERIAL:			MICROWAVE COMMUNICATIONS LABORATORIES INC. 7255 30TH AVE. N. SAINT PETERSBURG, FL 33710 TEL: (727) 344-6254 FAX: (727) 381-6116 http://WWW.MCLI.COM		SCALE: N/A
UNLESS OTHERWISE SPECIFIED: TOLERANCES IN (INCHES) OR [mm] (MILLIMETERS) FRACTIONS: $\pm 1/64$ DECIMALS: $\pm .02 \pm .009$ ANGLE: $\pm 1/2^\circ$			DRAWING TITLE: DROP-IN CIRCULATOR		SHEET: N/A
DRAWN: Paiboon Luekhamhan		DATE: 07-13-2016		PART NO. MC-34	
APPROVED: T. Nguyen		DATE: 07-13-2016		CAGE CODE: OD2L5	SIZE: A REV: A DWG NO. 85545
PROPRIETARY NOTICE: THE INFORMATION IN THIS DRAWING IS PROPRIETARY AND SHALL NOT BE USED OR DISCLOSED WITHOUT WRITTEN PERMISSION FROM MICROWAVE COMMUNICATIONS LABORATORIES INC. (MCLI)		THIRD ANGLE PROJECTION 		DO NOT SCALE THE DRAWING	