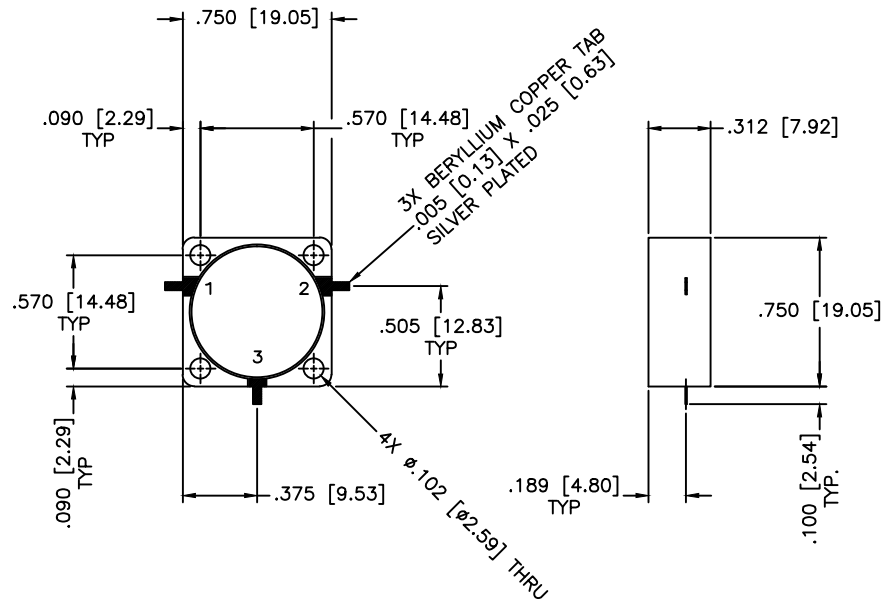


| REVISIONS | | | | |
|-----------|-----|-------------|------|----------|
| ZONE | REV | DESCRIPTION | Date | APPROVED |



NOTES:
 Operating at room temperature +25°C
 Isolation: 25dB, Insertion Loss: 0.20dB, VSWR 1.2:1
 Power Forward/Reverse: 100w/100w

SPECIFICATIONS

Frequency Range: 2.5–2.7 GHz
 Isolation: 20dB Min.
 Insertion Loss: 0.25dB Max.
 VSWR: 1.22:1 Max.
 Operating Temperature: –40°C to +85°C

| | | | | |
|---|--|--|--------|--|
| MATERIAL: | | MCLI MICROWAVE COMMUNICATIONS LABORATORIES INC. 7255 30TH AVE. N. SAINT PETERSBURG, FL 33710 TEL: (727) 344-6254 FAX: (727) 381-6116 http://www.mcli.com | SCALE: | N/A |
| | | | SHEET: | N/A |
| UNLESS OTHERWISE SPECIFIED: TOLERANCES IN (INCHES) OR [mm] (MILLIMETERS) FRACTIONS: ± 1/64 DECIMALS: ±.01 ±.005 ANGLE: ±1/2° | | DRAWING TITLE: DROP-IN CIRCULATOR | | |
| DRAWN: Paiboon Luekhamhan | | PART NO. MC-29 | | |
| DATE: 06-17-2010 | | CAGE CODE: OD2L5 | | |
| APPROVED: T. Nguyen | | DATE: 06-17-2010 | | SIZE: N/A REV: N/A DWG NO. 84916 |
| | | DO NOT SCALE THE DRAWING | | |