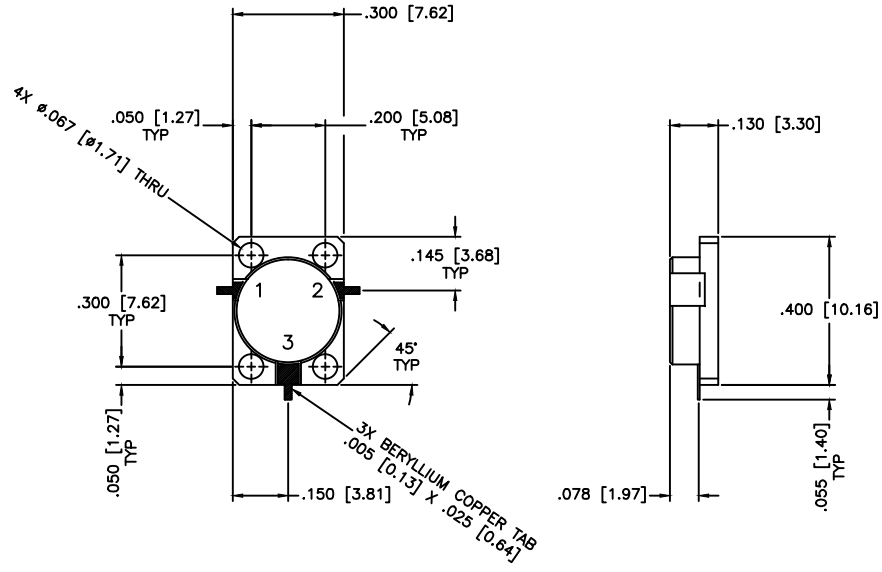


REVISIONS				
ZONE	REV	DESCRIPTION	DATE	APPROVED



SPECIFICATIONS

- Frequency Range: 11.5–14.0 GHz
- Insertion Loss: 0.5dB Max.
- Isolation: 20dB Min.
- VSWR: 1.25:1 Max.
- Impedance Nominal: 50 Ohms
- Power Rating: 2 Watts
- Operating Temperature: -45°C to +85°C
- Storage Temperature: -55°C to +100°C

MATERIAL:		MCLI MICROWAVE COMMUNICATIONS LABORATORIES INC. 7255 30TH AVE. N. SAINT PETERSBURG, FL 33710 TEL: (727) 344-6254 FAX: (727) 381-6116 http://WWW.MCLI.COM	SCALE:	N/A
			SHEET:	N/A
DRAWN:		UNLESS OTHERWISE SPECIFIED: TOLERANCES IN (INCHES) OR [mm] (MILLIMETERS) FRACTIONS: ± 1/64 DECIMALS: ±.01 ±.005 ANGLE: ±1/2°	DRAWING TITLE:	
Paiboon Luekhamhan DATE: 08-02-2006			OUTLINE DRAWING PART NO.: MC-16	
APPROVED:		PROPRIETARY NOTICE: THE INFORMATION IN THIS DRAWING IS PROPRIETARY AND SHALL NOT BE USED OR DISCLOSED WITHOUT WRITTEN PERMISSION FROM MICROWAVE COMMUNICATIONS LABORATORIES INC. (MCLI) THIRD ANGLE PROJECTION	CAGE CODE:	SIZE: N/A
T. Nguyen DATE: 08-02-2006			OD2L5 	REV: N/A
DO NOT SCALE THE DRAWING				