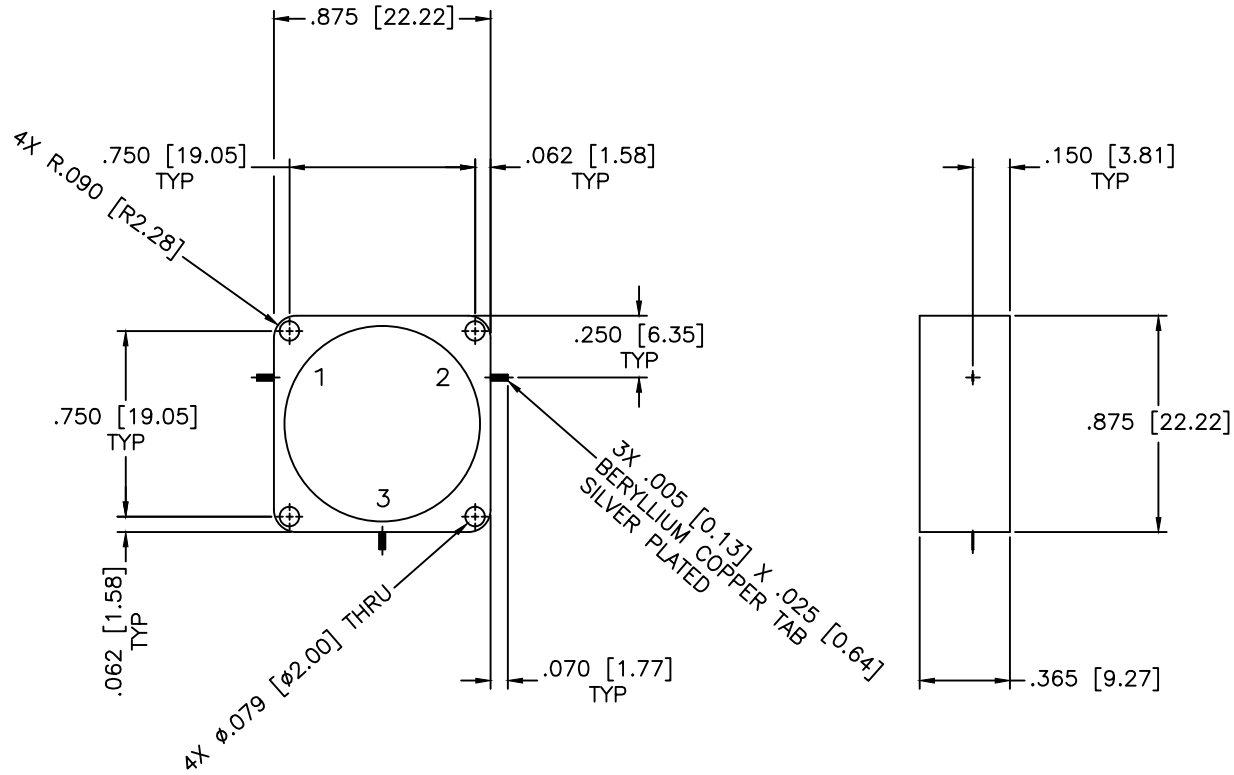


REVISIONS				
ZONE	REV	DESCRIPTION	Date	APPROVED



SPECIFICATIONS

Frequency Range: 2–6 GHz
 Isolation: 10dB Min.
 Insertion loss: 1.5dB Max.
 VSWR: 1.92:1 Max.
 Operating Temperature: -20°C to +70°C
 Average Power: 20 Watts

MATERIAL:		MCLI MICROWAVE COMMUNICATIONS LABORATORIES INC. 7255 30TH AVE. N. SAINT PETERSBURG, FL 33710 TEL: (727) 344-6254 FAX: (727) 381-6116 http://WWW.MCLI.COM	SCALE:	N/A
			SHEET:	N/A
UNLESS OTHERWISE SPECIFIED: TOLERANCES IN (INCHES) OR [mm] (MILLIMETERS) FRACTIONS: ± 1/64 DECIMALS: ±.01 ±.005 ANGLE: ±1/2°		DRAWING TITLE: DROP-IN CIRCULATOR		
DRAWN: Paiboon Luekhamhan		PART NO.: MC-110		
DATE: 06-08-2012		CAGE CODE: OD2L5		
APPROVED: T. Nguyen		DATE: 06-08-2012		
THIRD ANGLE PROJECTION		SIZE: A		
		REV: N/A		
		DWG NO.: 86117		
DO NOT SCALE THE DRAWING				