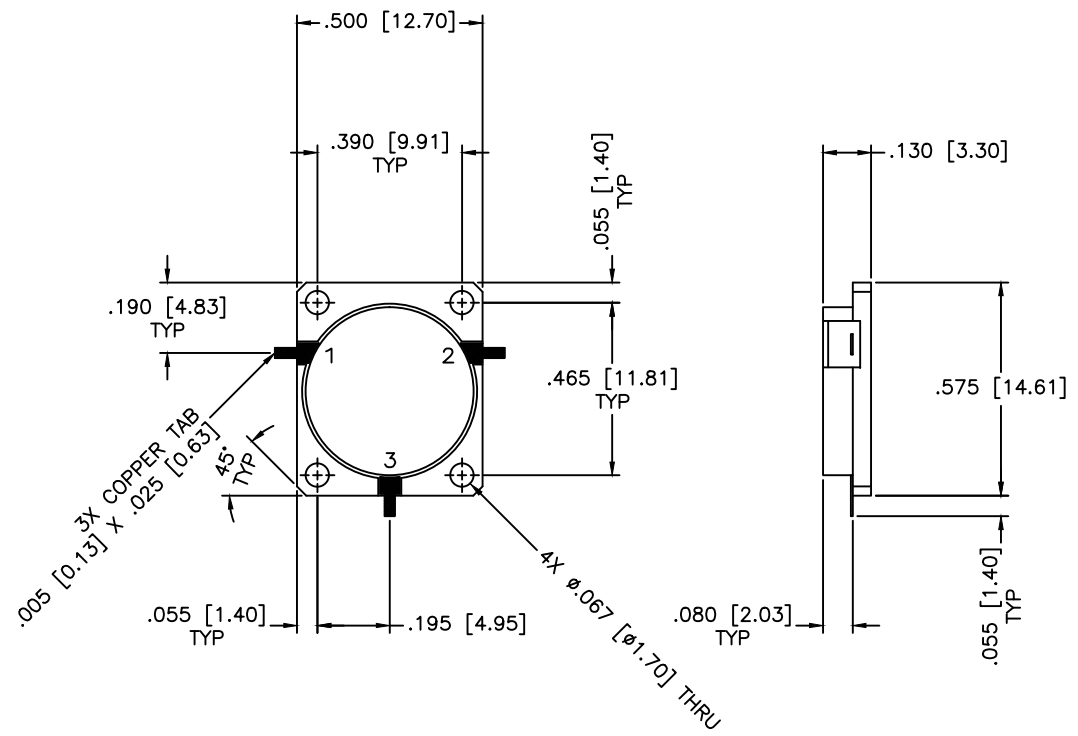


REVISIONS				
ZONE	REV	DESCRIPTION	DATE	APPROVED



SPECIFICATIONS

- Frequency Range: 5–6 GHz
- Insertion Loss: 0.5dB Max.
- Isolation: 20dB Min.
- VSWR: 1.25:1 Max.
- Impedance Nominal: 50 Ohms
- Power Rating: 2 Watts
- Operating Temperature: –45°C to +85°C
- Storage Temperature: –55°C to +100°C

MATERIAL:			MICROWAVE COMMUNICATIONS LABORATORIES INC. 7255 30TH AVE. N. SAINT PETERSBURG, FL 33710 TEL: (727) 344-6254 FAX: (727) 381-6116 http://WWW.MCLI.COM		SCALE:	N/A
			UNLESS OTHERWISE SPECIFIED: TOLERANCES IN (INCHES) OR [mm] (MILLIMETERS) FRACTIONS: ± 1/64 DECIMALS: ±.01 ±.005 ANGLE: ±1/2°		DRAWING TITLE:	OUTLINE DRAWING
DRAWN:		DATE:	PROPRIETARY NOTICE: THE INFORMATION IN THIS DRAWING IS PROPRIETARY AND SHALL NOT BE USED OR DISCLOSED WITHOUT WRITTEN PERMISSION FROM MICROWAVE COMMUNICATIONS LABORATORIES INC. (MCLI)		PART NO.:	MC-11
APPROVED:		DATE:	CAGE CODE:	SIZE:	REV:	DWG NO.:
Paiboon Luekhamhan		01-05-2005	OD2L5	N/A	N/A	82357
T. Nguyen		01-05-2005			DO NOT SCALE THE DRAWING	