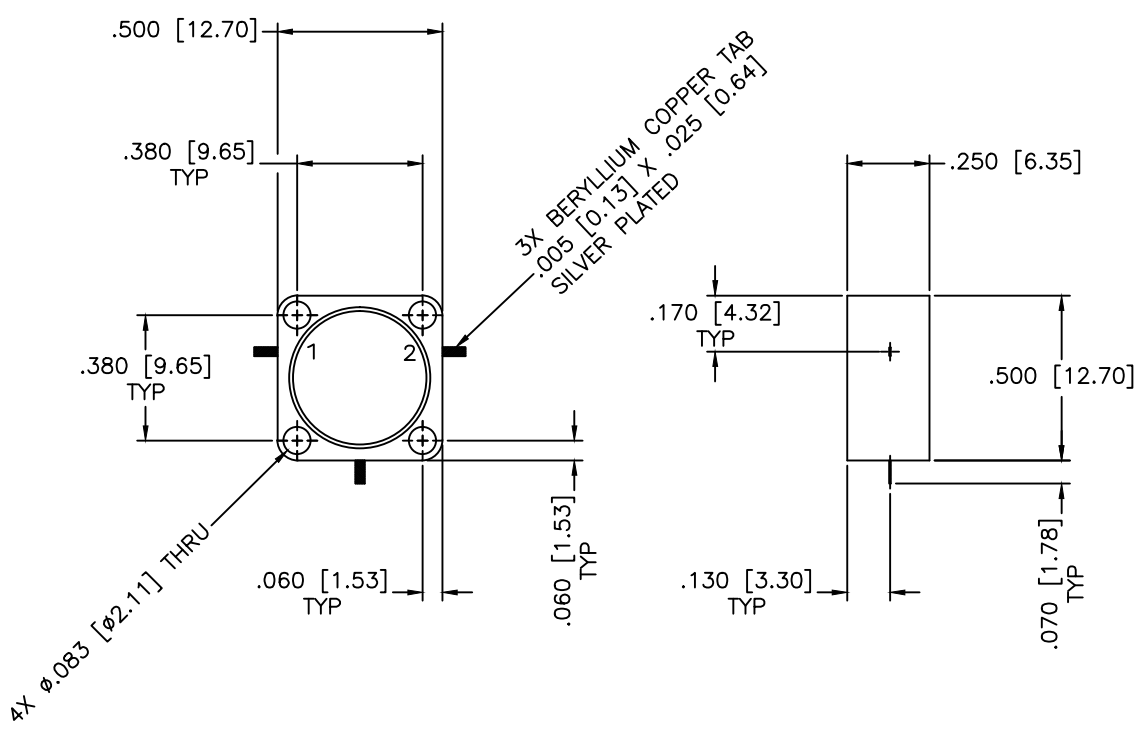


REVISIONS				
ZONE	REV	DESCRIPTION	DATE	APPROVED



SPECIFICATIONS

Frequency Range: 6–6.7 GHz
 Isolation: 20dB Min.
 Insertion loss: 0.6dB Max.
 VSWR: 1.33:1 Max.
 Operating Temperature: –30°C to +70°C
 Power: 1W Avg.

MATERIAL:			MICROWAVE COMMUNICATIONS LABORATORIES INC. 7255 30TH AVE. N. SAINT PETERSBURG, FL 33710 TEL: (727) 344-6254 FAX: (727) 381-6116 http://WWW.MCLI.COM		SCALE:	N/A
			UNLESS OTHERWISE SPECIFIED: TOLERANCES IN (INCHES) OR [mm] (MILLIMETERS) FRACTIONS: ± 1/64 DECIMALS: ±.01 ±.005 ANGLE: ±1/2°	DRAWING TITLE:		SHEET:
DRAWN:		PART NO.		DRAWING TITLE:		
APPROVED:		CAGE CODE:		DRAWING TITLE:		
DATE:		SIZE:		DRAWING TITLE:		
DATE:		REV:		DRAWING TITLE:		
THIRD ANGLE PROJECTION		DWG NO.		DRAWING TITLE:		
		DO NOT SCALE THE DRAWING		DRAWING TITLE:		