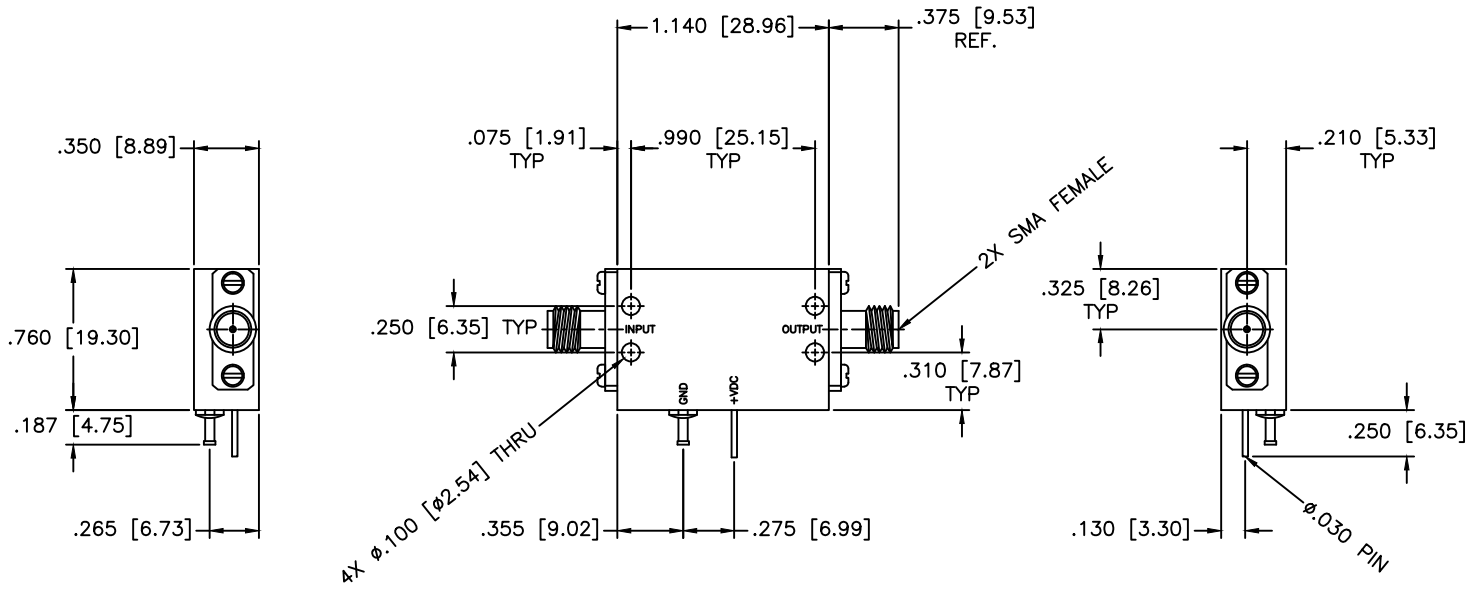


REVISIONS				
ZONE	REV	DESCRIPTION	DATE	APPROVED



SPECIFICATIONS

Frequency Range: 8-18 GHz
Gain (dB): 14 MIN
Gain Flatness (dB): +/- 1.0 MAX
Noise Figure (dB): 6.0 MAX
Power Output (dBm): +22 MIN @ 1 dB PT
Input VSWR: 2.0:1 MAX Output VSWR: 2.0:1 MAX
3rd Order ICP (dBm): +32 TYP
DC Power: +12 TO +15 VDC, 500 mA MAX

*CONNECTORS: SMA FEMALE INPUT/OUTPUT (FIELD REPLACEABLE)
*STORAGE TEMP: -55 TO +95 DEG C (NON-OPERATING)
*MAX INPUT POWER: +20 dBmCW
*OPERATING TEMP: -45 TO +85 DEG C (SPECS @ ROOM TEMP)
*UNIT IS UNCONDITIONALLY STABLE & 100% TESTED FOR THIS BY MCLI

MATERIAL:			MICROWAVE COMMUNICATIONS LABORATORIES INC. 7255 30TH AVE. N. SAINT PETERSBURG, FL 33710 TEL: (727) 344-6254 FAX: (727) 381-6116 http://WWW.MCLI.COM		SCALE: N/A
UNLESS OTHERWISE SPECIFIED: TOLERANCES IN (INCHES) OR [mm] (MILLIMETERS) FRACTIONS: ± 1/64 DECIMALS: ±.01 ±.005 ANGLE: ±1/2°			DRAWING TITLE: LOW NOISE AMPLIFIER		SHEET: N/A
DRAWN: Paiboon Luekhamhan DATE: 06-24-2009		PROPRIETARY NOTICE: THE INFORMATION IN THIS DRAWING IS PROPRIETARY AND SHALL NOT BE USED OR DISCLOSED WITHOUT WRITTEN PERMISSION FROM MICROWAVE COMMUNICATIONS LABORATORIES INC. (MCLI)		PART NO. LNA-8-14	
APPROVED: T. Nguyen DATE: 06-24-2009		CAGE CODE: OD2L5 THIRD ANGLE PROJECTION		SIZE: A REV: N/A DWG NO. 84547	DO NOT SCALE THE DRAWING