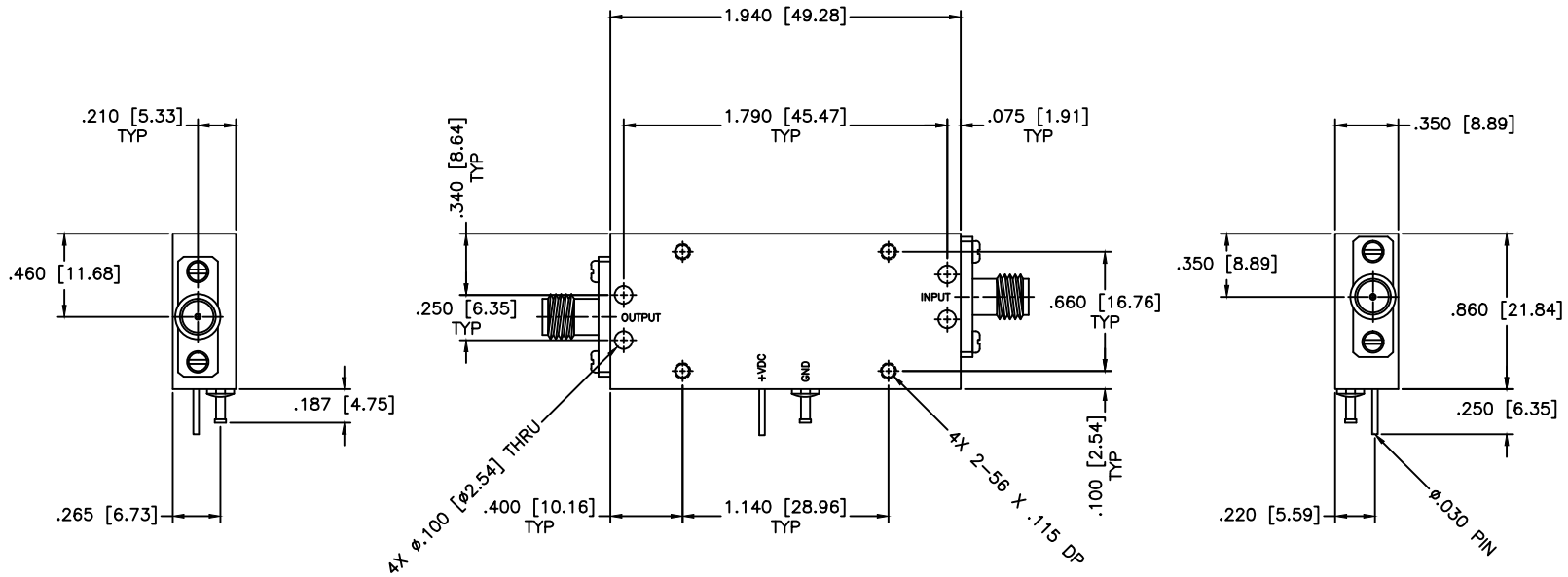


| REVISIONS | | | | |
|-----------|-----|-------------|------|----------|
| ZONE | REV | DESCRIPTION | DATE | APPROVED |
| | | | | |



- *CONNECTORS: SMA FEMALE INPUT/OUTPUT (FIELD REPLACEABLE)
- *STORAGE TEMP: -55°C TO +95°C (NON-OPERATING)
- *MAX INPUT POWER WITHOUT DAMAGE: +20 dBmCW
- *OPERATING TEMP: -40°C TO +85°C (SPECS @ ROOM TEMP)
- *UNIT IS UNCONDITIONALLY STABLE & 100% TESTED FOR THIS BY MCLI

SPECIFICATIONS

Frequency Range: 0.5 to 8.0 GHz
 Power (Saturated) Gain: 30dB Min.
 Saturated Gain Flatness: ±2.0dB Max.
 VSWR: 2.00:1 Max.
 Noise Figure: 3.0dB Max.
 Power Output: +25dBm Min.(Nom. Input Pwr: -5dBm)
 DC Power: +12 to +15Vdc, 170mA NOM

| | | | | | |
|------------------------------|---------------------|---|--|------------------------------------|------------------|
| MATERIAL: | | | MICROWAVE COMMUNICATIONS LABORATORIES INC. 7255 30TH AVE. N. SAINT PETERSBURG, FL 33710 TEL: (727) 344-6254 FAX: (727) 381-6116 http://WWW.MCLI.COM | | SCALE: N/A |
| | | | | | SHEET: N/A |
| | | UNLESS OTHERWISE SPECIFIED: TOLERANCES IN (INCHES) OR [mm] (MILLIMETERS) FRACTIONS: ± 1/64 DECIMALS: ±.01 ±.005 ANGLE: ±1/2° | | DRAWING TITLE: LOW NOISE AMPLIFIER | |
| | | PROPRIETARY NOTICE: THE INFORMATION IN THIS DRAWING IS PROPRIETARY AND SHALL NOT BE USED OR DISCLOSED WITHOUT WRITTEN PERMISSION FROM MICROWAVE COMMUNICATIONS LABORATORIES INC. (MCLI) | | PART NO. LNA-40-30 | |
| DRAWN: Paiboon Luekhamhan | DATE: 06-27-2009 | CAGE CODE: OD2L5 | SIZE: A | REV: N/A | DWG NO. 84616 |
| APPROVED: T. Nguyen | DATE: 06-27-2009 | THIRD ANGLE PROJECTION | | DO NOT SCALE THE DRAWING | |