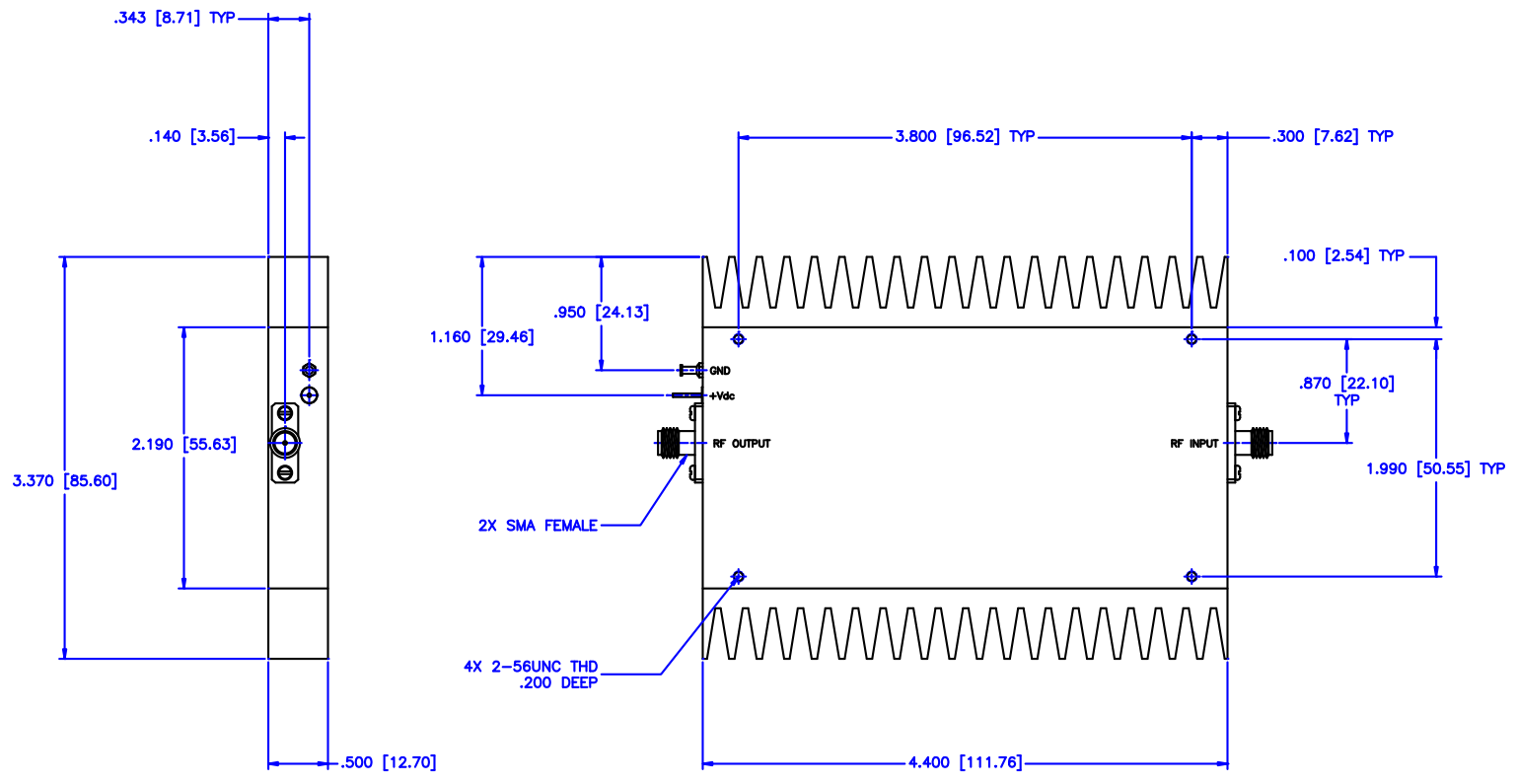


REVISIONS				
ZONE	REV	DESCRIPTION	DATE	APPROVED



SPECIFICATIONS

Frequency Range: 9.0–9.5 GHz
 Gain: 35dB Min.
 Gain Flatness: ±1.0dB Max.
 VSWR Input: 2.00:1 Max.
 Noise Figure: 6.0dB TYP, 8.0dB Max.
 Power Output: +17dBm Min. @1dB PT
 3rd Order ICP: +42dBm TYP
 DC Power: +12 to +15 Vdc, 3.2A NOM

MATERIAL:		MICROWAVE COMMUNICATIONS LABORATORIES INC. 7225 30TH AVE. N. SAINT PETERSBURG, FL 33710 TEL: (727) 344-8254 FAX: (727) 381-8118 http://www.mcli.com		SCALE: N/A
UNLESS OTHERWISE SPECIFIED: TOLERANCES: IN (INCHES) OR (mm) (MILLIMETERS) FRACTIONS: ± 1/64 DECIMALS: ± 0.01 ± 0.005 ANGLE: ± 1/2°		DRAWING TITLE: LOW NOISE AMPLIFIER		PART NO.:
DRAWN: Paiboon Luekhamhan		DATE: 05-04-2009		ENGINEER: T. Nguyen
APPROVED: T. Nguyen		DATE: 05-04-2009		CAGE CODE: 0D2L5 SIZE: N/A REV: N/A DWG NO.: 84400 DO NOT SCALE THE DRAWING