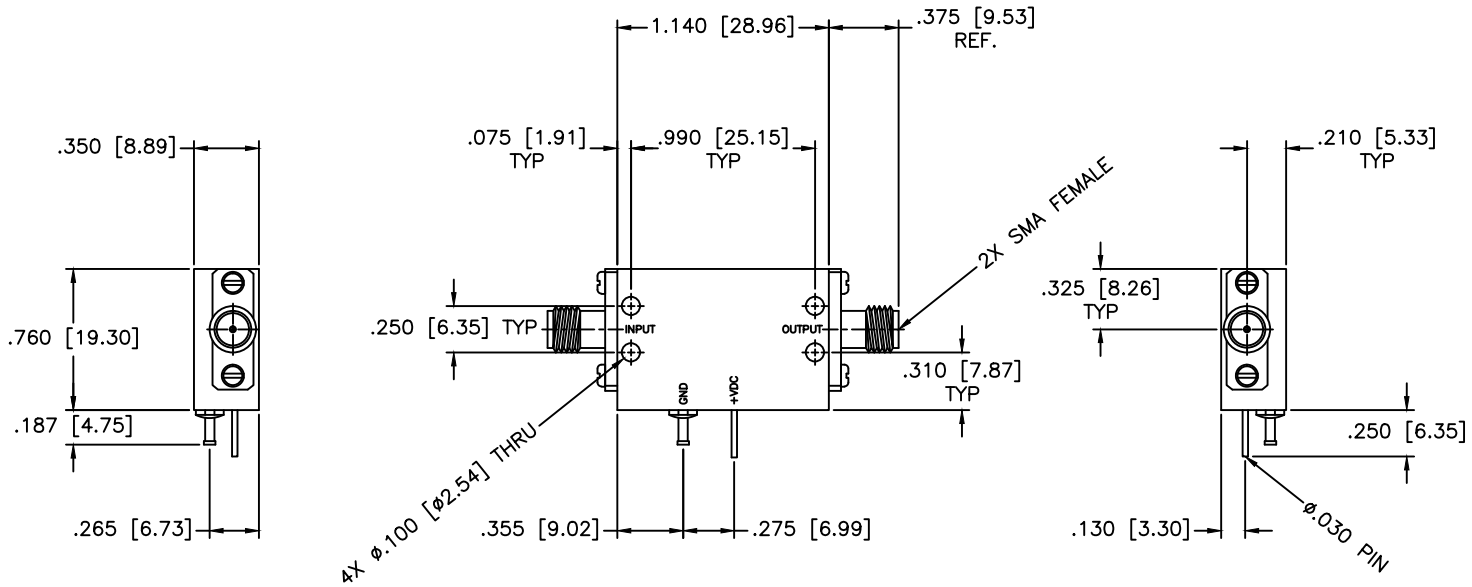


REVISIONS				
ZONE	REV	DESCRIPTION	DATE	APPROVED



*CONNECTORS: SMA FEMALE INPUT/OUTPUT (FIELD REPLACEABLE)
 *UNIT IS UNCONDITIONALLY STABLE & 100% TESTED BY MCLI
 *MAX INPUT POWER WITHOUT DAMAGE: +10 dBmCW
 *STORAGE TEMP: -54°C to +95°C (SPECS @ ROOM TEMP)

SPECIFICATIONS

Frequency Range: 2-18 GHz
 Gain (dB): 22 MIN
 Gain Flatness (dB): ± 2.0 MAX
 Noise Figure (dB): 3.5 Max.
 Power Output (dBm): +12 Min @ 1 dB PT
 Input & Output VSWR: 2.0:1 Max.
 3rd Order ICP (dBm): +22 TYP
 DC Power: +12 to +15 VDC, 200mA NOM

MATERIAL:		MICROWAVE COMMUNICATIONS LABORATORIES INC. 7255 30TH AVE. N. SAINT PETERSBURG, FL 33710 TEL: (727) 344-6254 FAX: (727) 381-6116 http://WWW.MCLI.COM		SCALE:	N/A	
UNLESS OTHERWISE SPECIFIED: TOLERANCES IN (INCHES) OR [mm] (MILLIMETERS) FRACTIONS: ± 1/64 DECIMALS: ±.01 ±.005 ANGLE: ±1/2°				SHEET:	N/A	
		DRAWING TITLE:		LOW NOISE AMPLIFIER		
PART NO.:		LNA-18-22				
DRAWN:	DATE:	PROPRIETARY NOTICE: THE INFORMATION IN THIS DRAWING IS PROPRIETARY AND SHALL NOT BE USED OR DISCLOSED WITHOUT WRITTEN PERMISSION FROM MICROWAVE COMMUNICATIONS LABORATORIES INC. (MCLI)	CAGE CODE:	SIZE:	REV:	DWG NO.:
APPROVED:	DATE:		OD2L5	A	N/A	84635
THIRD ANGLE PROJECTION		DO NOT SCALE THE DRAWING				