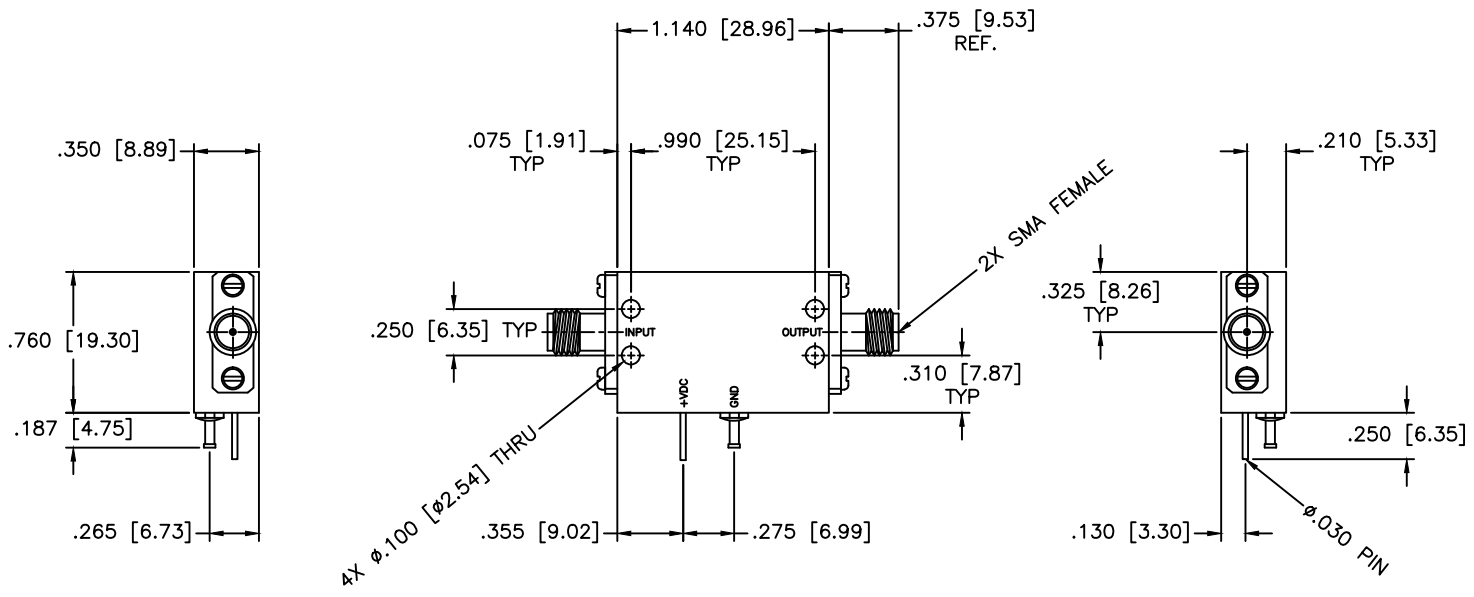


REVISIONS				
ZONE	REV	DESCRIPTION	DATE	APPROVED



*CONNECTORS: SMA FEMALE INPUT/OUTPUT (FIELD REPLACEABLE)
 *UNIT IS UNCONDITIONALLY STABLE & 100% TESTED FOR THIS
 *MAX INPUT POWER WITHOUT DAMAGE: +16 dBmCW
 *OPERATING TEMP: -20 TO +65 DEG C (SPECS @ ROOM TEMP)

SPECIFICATIONS

Frequency Range: 2-18 GHz
 Gain (dB): 20 MIN
 Gain Flatness (dB): +/- 2.0 MAX
 Noise Figure (dB): 4.0 MAX, 3.2 TYP
 Power Output (dBm): +20 MIN @ 1 dB PT
 Input VSWR: 2.0:1 MAX Output VSWR: 2.0:1 MAX
 3rd Order ICP (dBm): +30 TYP
 DC Power: +15 VDC, 250mA NOM

MATERIAL:			MICROWAVE COMMUNICATIONS LABORATORIES INC. 7255 30TH AVE. N. SAINT PETERSBURG, FL 33710 TEL: (727) 344-6254 FAX: (727) 381-6116 http://WWW.MCLI.COM		SCALE:	N/A
UNLESS OTHERWISE SPECIFIED: TOLERANCES IN (INCHES) OR [mm] (MILLIMETERS) FRACTIONS: ± 1/64 DECIMALS: ±.01 ±.005 ANGLE: ±1/2°			DRAWING TITLE:		SHEET:	
DRAWN:		PART NO.		LOW NOISE AMPLIFIER		
DATE:		CAGE CODE:		LNA-18-20		
APPROVED:		SIZE:		DWG NO.		
DATE:		REV:		84473		
THIRD ANGLE PROJECTION		DO NOT SCALE THE DRAWING				