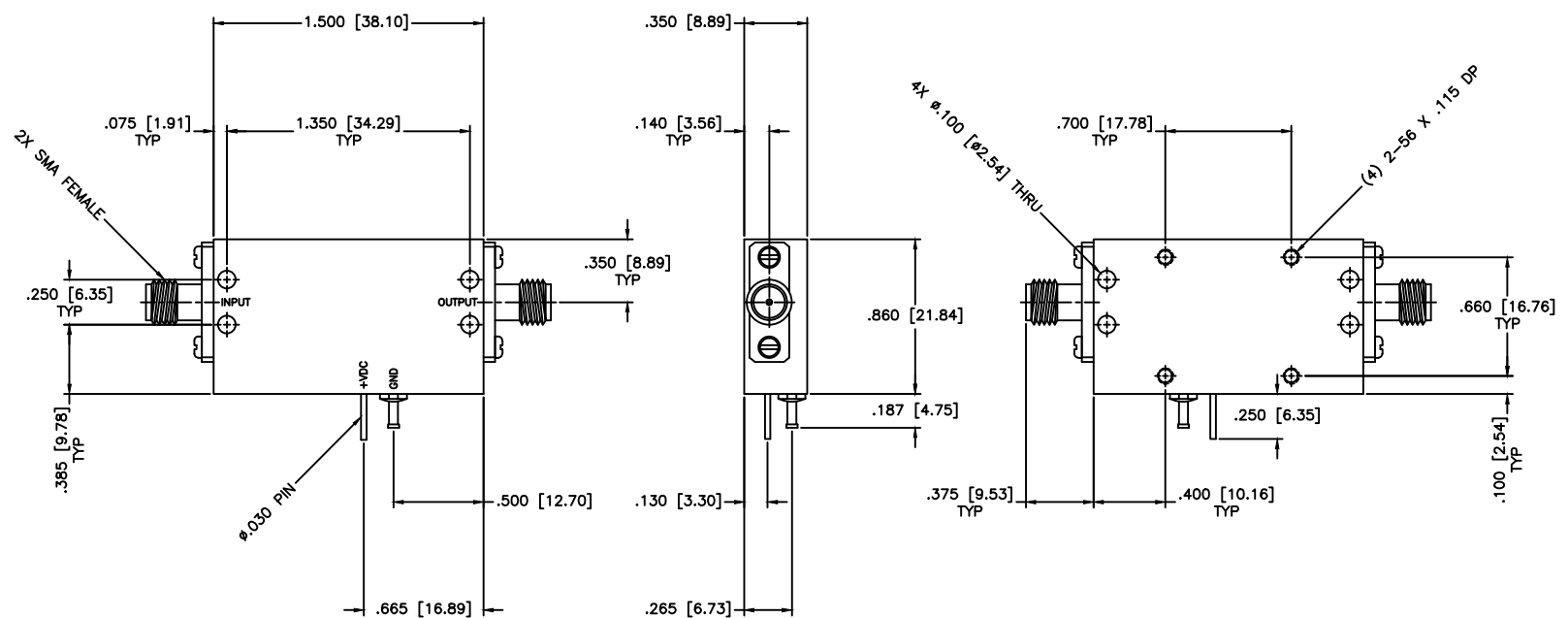


REVISIONS				
ZONE	REV	DESCRIPTION	DATE	APPROVED



*CONNECTORS: SMA FEMALE INPUT/OUTPUT (FIELD REPLACEABLE)
 *UNIT IS UNCONDITIONALLY STABLE & 100% TESTED FOR THIS BY MCLI
 *MAX INPUT POWER WITHOUT DAMAGE: +20 dBmCW
 *OPERATING TEMP: -45 TO +85 DEG C (SPECS @ ROOM TEMP)
 *STORAGE TEMP: -55 TO +95 DEG C (NON-OPERATING)

SPECIFICATIONS

Frequency Range: 200-1200 MHz
 Gain (dB): 40 MIN
 Gain Flatness (dB): +/- 1.0 MAX
 Noise Figure (dB): 1.5 MAX
 Power Output (dBm): +8 MIN @ 1 dB PT
 Input VSWR: 2.0:1 MAX Output VSWR: 2.0:1 MAX
 3rd Order ICP (dBm): +18 TYP
 DC Power: +12 TO +15 VDC, 400 mA MAX

MATERIAL:			MICROWAVE COMMUNICATIONS LABORATORIES INC. 7255 30TH AVE. N. SAINT PETERSBURG, FL 33710 TEL: (727) 344-6254 FAX: (727) 381-6116 http://WWW.MCLI.COM		SCALE:	N/A	
			UNLESS OTHERWISE SPECIFIED: TOLERANCES IN (INCHES) OR [mm] (MILLIMETERS) FRACTIONS: ± 1/64 DECIMALS: ±.01 ±.005 ANGLE: ±1/2°	DRAWING TITLE:		LOW NOISE AMPLIFIER	
DRAWN:		DATE:		PART NO.			LNA-10-40
Paiboon Luekhamhan		06-24-2009		PROPRIETARY NOTICE: THE INFORMATION IN THIS DRAWING IS PROPRIETARY AND SHALL NOT BE USED OR DISCLOSED WITHOUT WRITTEN PERMISSION FROM MICROWAVE COMMUNICATIONS LABORATORIES INC. (MCLI)			
APPROVED:		DATE:		CAGE CODE:	SIZE:	REV:	DWG NO.
T. Nguyen		06-24-2009		OD2L5	A	N/A	84548
				DO NOT SCALE THE DRAWING			

