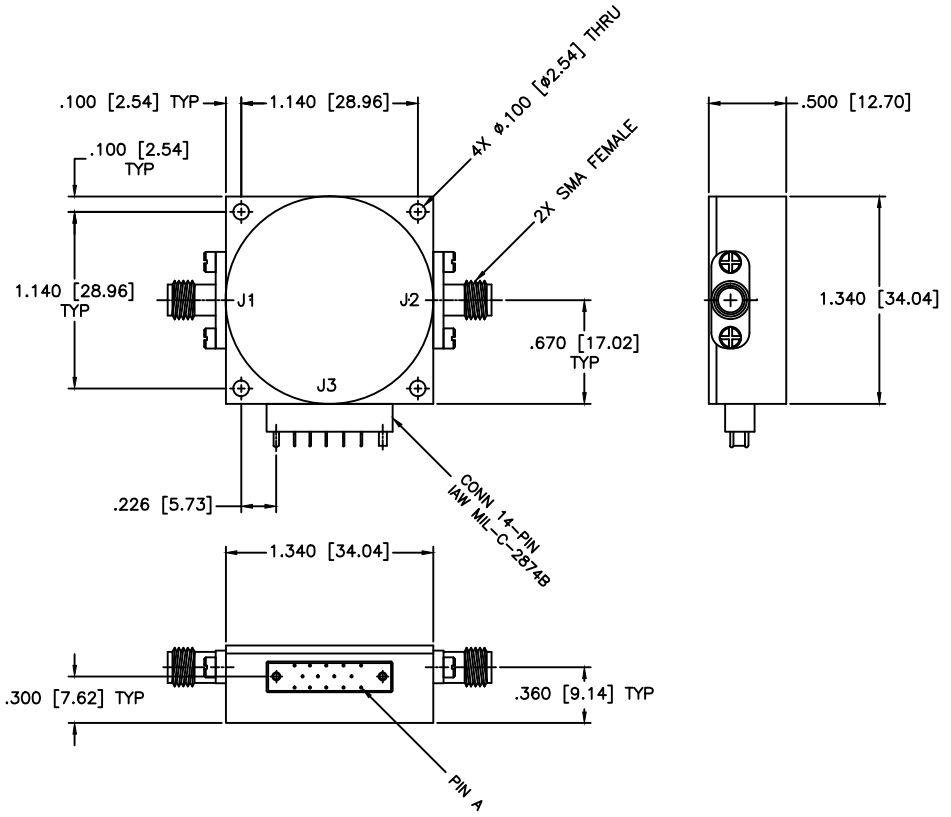


REVISIONS				
ZONE	REV	DESCRIPTION	Date	APPROVED



POWER/LOGIC CONNECTIONS	
PIN	FUNCTIONS
A	DIGITAL POWER GROUND
B	LOGIC CONTROL
C	-12V to -15V
D	0.25dB (LSB)
E	0.5dB
F	1.0dB
H	4.0dB
J	2.0dB
K	16dB
L	32dB
M	+12V to +15V
N	8dB
P	GROUND
R	ANALOG INPUT

SPECIFICATIONS

Frequency Range: 8–12 GHz
Attenuator Range: 0–60dB
Insertion Loss: 2.6dB
Flatness
10dB ±0.8dB
20dB ±1.0dB
40dB ±1.5dB
60dB ±1.6dB
VSWR: 1.80:1 Max.

MATERIAL:		MCLI MICROWAVE COMMUNICATIONS LABORATORIES INC. 7255 30TH AVE. N. SAINT PETERSBURG, FL 33710 TEL: (727) 344-6254 FAX: (727) 381-6116 http://WWW.MCLI.COM	SCALE: N/A
			SHEET: N/A
UNLESS OTHERWISE SPECIFIED: TOLERANCES IN (INCHES) OR [mm] (MILLIMETERS) FRACTIONS: ± 1/64 DECIMALS: ±.01 ±.005 ANGLE: ±1/2°		DRAWING TITLE: PIN DIODE ATTENUATOR	
DRAWN: Paiboon Luengkhamhan		PART NO.: LC-13	
DATE: 03-28-1999		CAGE CODE: OD2L5	
APPROVED: T. Nguyen		DATE: 03-28-1999	
<small>PROCEEDURE NOTES: THE INFORMATION IN THIS DRAWING IS PROPRIETARY AND SHALL NOT BE USED OR DISCLOSED WITHOUT WRITTEN PERMISSION FROM MICROWAVE COMMUNICATIONS LABORATORIES INC. (MCLI)</small>		SIZE: A	REV: N/A
		DWG NO.: 81266	
DO NOT SCALE THE DRAWING			