

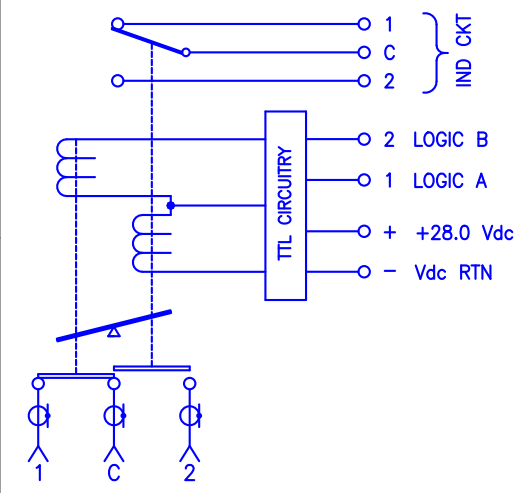
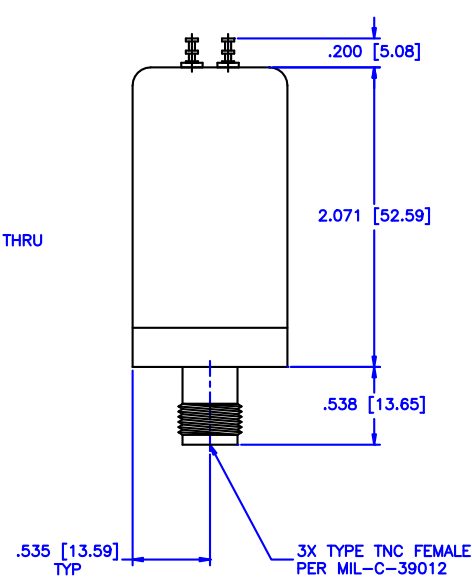
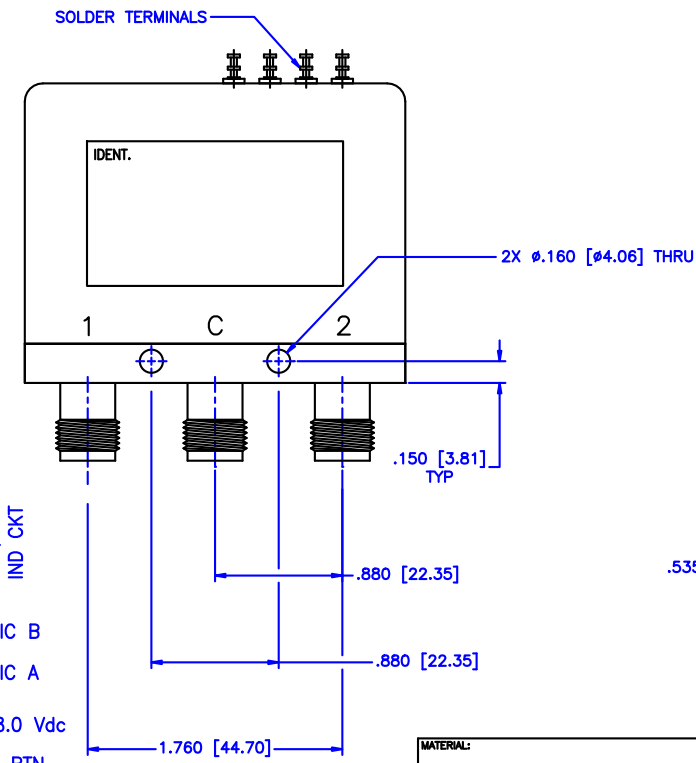
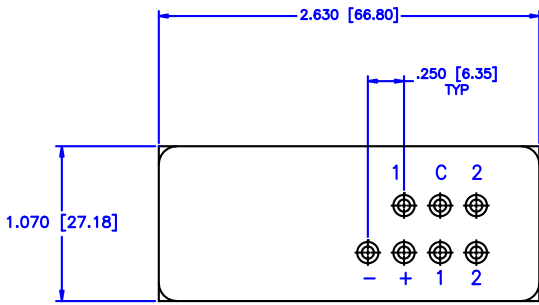
REVISIONS				
ZONE	REV	DESCRIPTION	DATE	APPROVED

MECHANICAL
 CONTACT: BREAK BEFORE MAKE
 ACTUATOR: LATCHING
 SWITCHING SPEED: 20 mSEC MAX

ELECTRICAL
 ACTUATOR VOLTAGE: 28.0 Vdc
 ACTUATOR CURRENT: 0.100 A MAX @ 28.0 Vdc
 POWER HANDLING: 350W CW @ 1.0 GHz

ENVIRONMENTAL
 OPERATING TEMP: -54°C TO +90°C
 SINE VIBRATION: 30G'S rms
 LIFE: 1,000,000 CYCLES
 RANDOM VIBRATION: 20G'S rms

SPECIFICATION:
 FREQUENCY RANGE: 6-18 GHz
 VSWR: 1.60:1 Max.
 INSERTION LOSS: 0.60dB
 ISOLATION: 50dB
 IMPEDANCE: 50 Ohms



MATERIAL:		MCLI MICROWAVE COMMUNICATIONS LABORATORIES INC. 7255 30TH AVE. N. SAINT PETERSBURG, FL 33710 TEL: (727) 344-6254 FAX: (727) 381-6116 http://WWW.MCLI.COM	SCALE:	N/A
DRAWN: Paiboon Luekhamhan			DATE: 01-14-2011	SHEET:
APPROVED: T. Nguyen		DATE: 01-14-2011	DRAWING TITLE: ELECTROMECHANICAL SWITCHES	
UNLESS OTHERWISE SPECIFIED: TOLERANCES IN (INCHES) OR [mm] (MILLIMETERS) FRACTIONS: ± 1/64 DECIMALS: ±.01 ±.005 ANGLE: ±1/2°		PART NO. K8-7-LIL		
CAGE CODE: OD2L5		SIZE: N/A	REV: N/A	DWG NO. 85244
DO NOT SCALE THE DRAWING				