

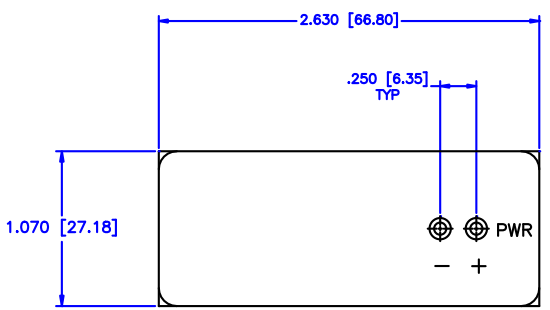
4

3

2

1

REVISIONS				
ZONE	REV	DESCRIPTION	DATE	APPROVED



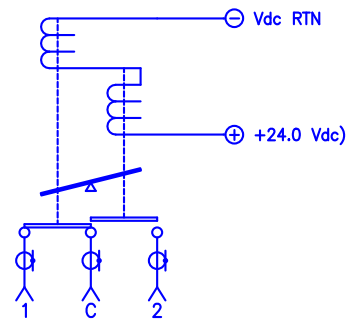
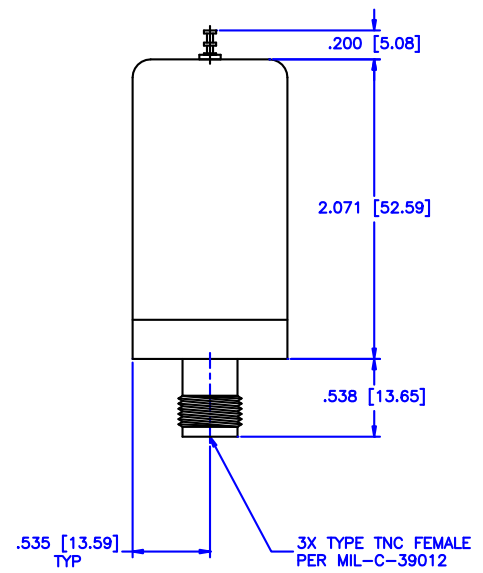
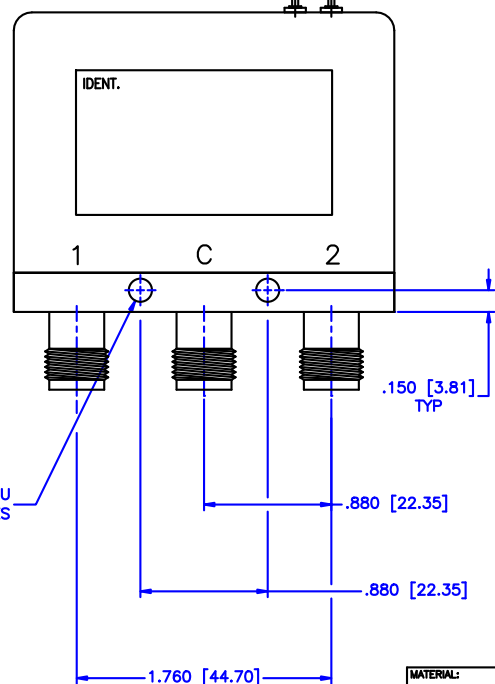
MECHANICAL
 CONTACT: BREAK BEFORE MAKE
 ACTUATOR: FAILSAFE
 SWITCHING SPEED: 20 mSEC MAX

ELECTRICAL
 ACTUATOR VOLTAGE: 24.0 Vdc
 ACTUATOR CURRENT: 0.125 A MAX @ 24.0 Vdc
 POWER HANDLING: 350W CW @ 1.0 GHz

ENVIRONMENTAL
 OPERATING TEMP: -54°C TO +90°C
 SINE VIBRATION: 30G'S rms
 LIFE: 1,000,000 CYCLES
 RANDOM VIBRATION: 20G'S rms

SPECIFICATION:
 FREQUENCY RANGE (GHz): 6.0-18.0
 VSWR (Max.): 1.60:1
 INSERTION LOSS (dB): 0.60
 ISOLATION (dB): 50
 IMPEDANCE (Ohms): 50

SOLDER TERMINALS



MATERIAL:		MCLI MICROWAVE COMMUNICATIONS LABORATORIES INC. 7255 30TH AVE. N. SAINT PETERSBURG, FL 33710 TEL: (727) 344-6254 FAX: (727) 381-6116 http://WWW.MCLI.COM	SCALE: N/A
DRAWN: Paiboon Luekhamhan			SHEET: N/A
DATE: 02-03-2009		UNLESS OTHERWISE SPECIFIED: TOLERANCES IN (INCHES) OR [mm] (MILLIMETERS) FRACTIONS: ± 1/64 DECIMALS: ±.01 ±.005 ANGLE: ±1/2°	DRAWING TITLE: ELECTROMECHANICAL SWITCHES
APPROVED: T. Nguyen		DATE: 02-03-2009	PART NO.: K8-7-F/TF/24
THIRD ANGLE PROJECTION		CAGE CODE: OD2L5	SIZE: N/A REV: A DWG NO.: 84528
			DO NOT SCALE THE DRAWING

4

3

2

1