

SPECIFICATIONS

FREQUENCY RANGE: DC-4.0 GHz
 VSWR: 1.30:1 MAX.
 INSERTION LOSS: 0.30dB MAX.
 ISOLATION: 70dB MIN.
 IMPEDANCE: 50 OHMS

MECHANICAL

CONTACT: BREAK BEFORE MAKE
 ACTUATOR: LATCHING
 SWITCHING SPEED: 20 mSEC MAX

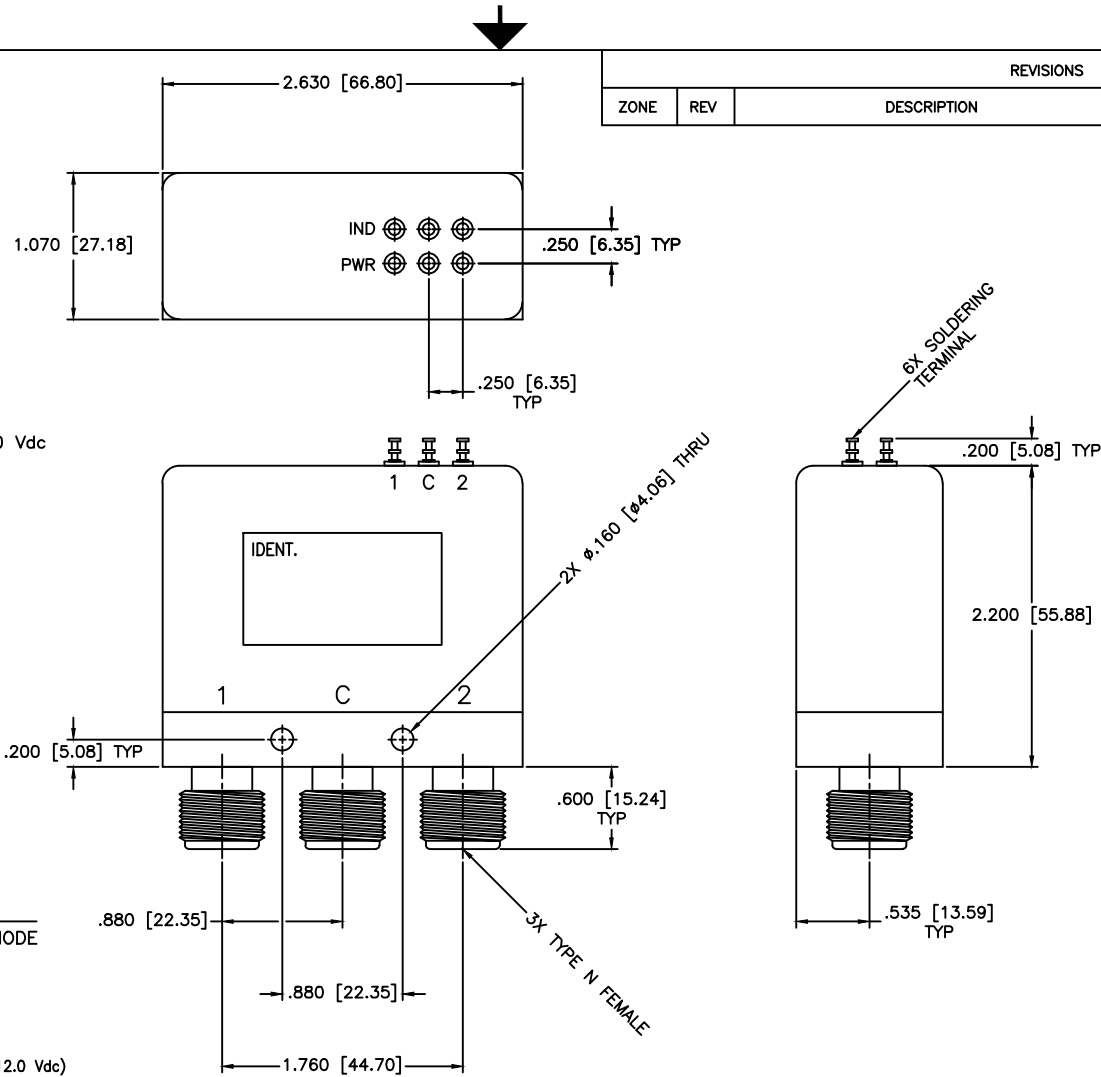
ELECTRICAL

ACTUATOR VOLTAGE: 12.0 Vdc
 ACTUATOR CURRENT: 100mA MAX @ 12.0 Vdc
 POWER HANDLING: 350W CW @ 1.0GHz

ENVIRONMENTAL

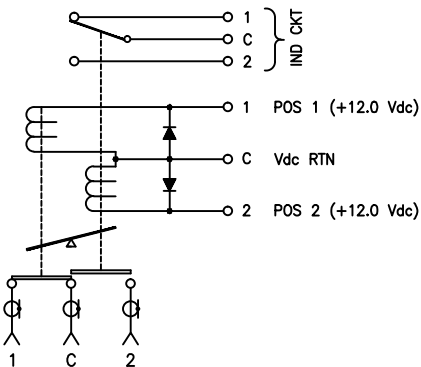
OPERATING TEMP: -54°C to +90°C
 SINE VIBRATION: 30 G'S rms
 LIFE: 1,000,000 CYCLES
 RANDOM VIBRATION: 20 G'S rms

REVISIONS				
ZONE	REV	DESCRIPTION	Date	APPROVED



SCHEMATIC

LATCHING, INDICATOR, SUPPRESSION DIODE



MATERIAL:	
DRAWN: Paiboon L.	DATE: 07-30-2025
APPROVED: T. Nguyen	DATE: 7-30-2025

<p>MICROWAVE COMMUNICATIONS LABORATORIES INC. 7255 30TH AVE. N. SAINT PETERSBURG, FL 33710 TEL: (727) 344-6254 FAX: (727) 381-6116 http://WWW.MCLI.COM</p>	SCALE: N/A
	SHEET: N/A
UNLESS OTHERWISE SPECIFIED: TOLERANCES IN (INCHES) OR [mm] (MILLIMETERS) FRACTIONS: ± 1/64 DECIMALS: ± .02 ± .008 ANGLE: ± 1/2°	DRAWING TITLE: ELECTROMECHANICAL SWITCHES
PART NO. K5-3-LIS/12	
CAGE CODE: OD2L5	SIZE: N/A
	REV: N/A
	DWG NO. 87352
DO NOT SCALE THE DRAWING	

PROSECUTORY NOTICE:
 THE INFORMATION IN THIS DRAWING IS PROPRIETARY
 AND SHALL NOT BE USED OR DISCLOSED WITHOUT WRITTEN
 PERMISSION FROM MICROWAVE COMMUNICATIONS
 LABORATORIES INC. (MCLI)

THIRD ANGLE PROJECTION