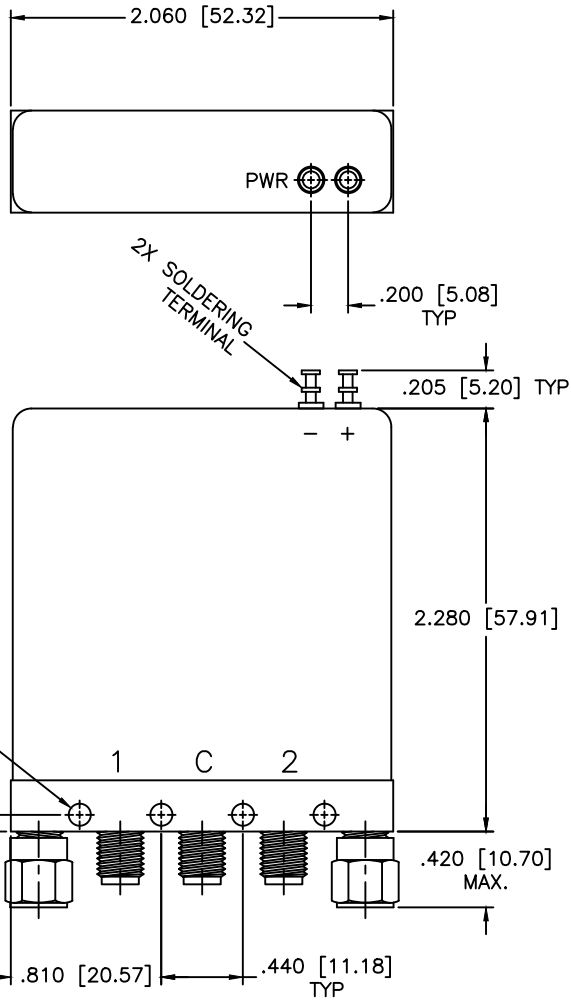
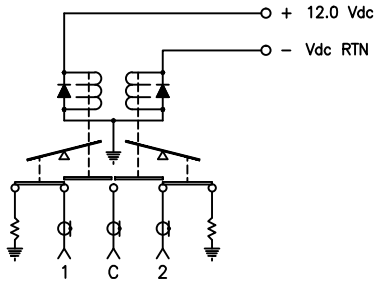


REVISIONS				
ZONE	REV	DESCRIPTION	DATE	APPROVED

SCHMATIC
SHOWN IN FAILSAFE, SUPPRESSION DIODE



SPECIFICATIONS

FREQUENCY RANGE: DC-18.0 GHz
VSWR: 1.50:1 MAX.
INSERTION LOSS: 0.50dB MAX.
ISOLATION: 60dB MIN.
IMPEDANCE: 50 OHMS

MECHANICAL

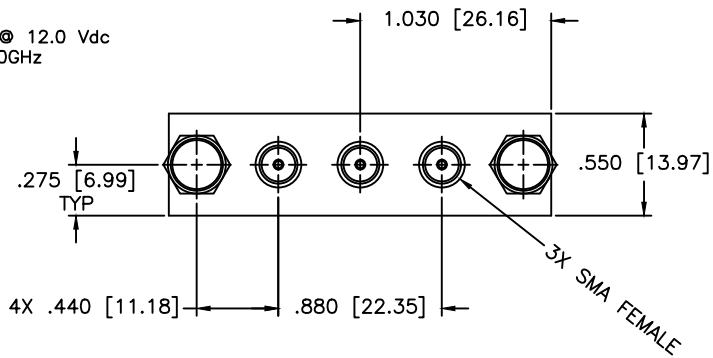
CONTACT: BREAK BEFORE MAKE
ACTUATOR: FAILSAFE
SWITCHING SPEED: 20 mSEC MAX

ELECTRICAL

ACTUATOR VOLTAGE: 12.0±3.0 Vdc
ACTUATOR CURRENT: 110mA MAX @ 12.0 Vdc
POWER HANDLING: 200W CW @ 1.0GHz
IMPEDANCE: 50 Ohms

ENVIRONMENTAL

OPERATING TEMP: -54°C to +90°C
SINE VIBRATION: 30 G'S rms
LIFE: 1,000,000 CYCLES
RANDOM VIBRATION: 20 G'S rms



MATERIAL:			MICROWAVE COMMUNICATIONS LABORATORIES INC. 7255 30TH AVE. N. SAINT PETERSBURG, FL 33710 TEL: (727) 344-6254 FAX: (727) 381-6116 http://www.MCLI.COM		SCALE:	N/A
			UNLESS OTHERWISE SPECIFIED: TOLERANCES IN (INCHES) OR [mm] (MILLIMETERS) FRACTIONS: ± 1/64 DECIMALS: ±.02 ±.009 ANGLE: ±1/2°		DRAWING TITLE:	ELECTROMECHANICAL SWITCHES
DRAWN: Paiboon Luekhamhan	DATE: 03-12-2009	PROPRIETARY NOTICE: THE INFORMATION IN THIS DRAWING IS PROPRIETARY AND SHALL NOT BE USED OR DISCLOSED WITHOUT WRITTEN PERMISSION FROM MICROWAVE COMMUNICATIONS LABORATORIES INC. (MCLI)	PART NO. K45-7-FS/12		SHEET:	N/A
APPROVED: T. Nguyen	DATE: 03-12-2009		CAGE CODE: OD2L5	SIZE: A	REV: N/A	DWG NO. 84288
			DO NOT SCALE THE DRAWING			