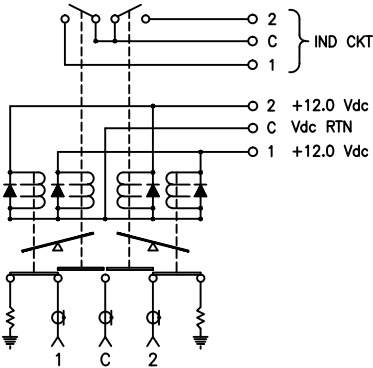


REVISIONS				
ZONE	REV	DESCRIPTION	DATE	APPROVED

SCHEMATIC

LATCHING, INDICATOR, SUPPRESSION DIODE



MECHANICAL

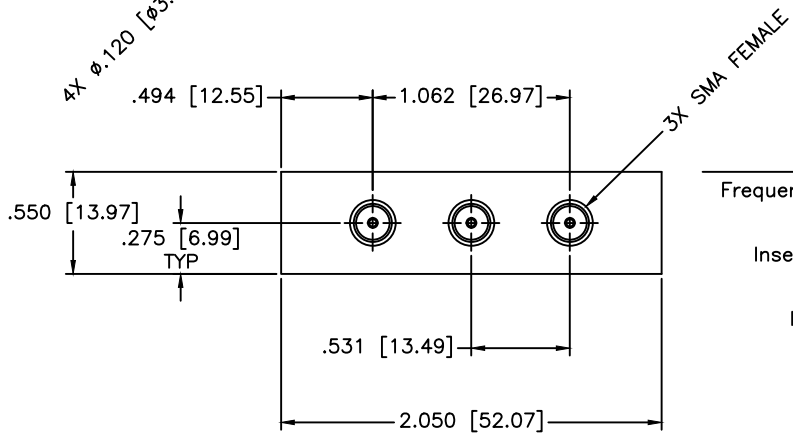
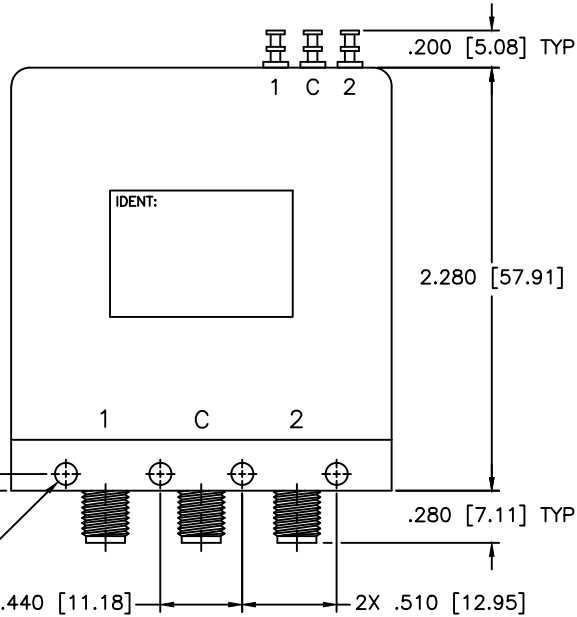
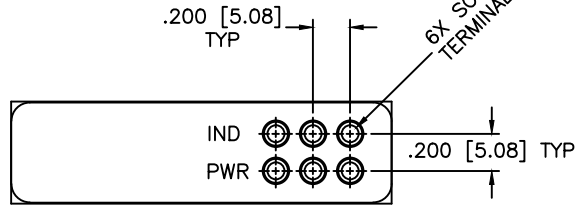
CONTACT: BREAK BEFORE MAKE
 ACTUATOR: LATCHING
 SWITCHING SPEED: 20 mSEC MAX

ELECTRICAL

ACTUATOR VOLTAGE: 12.0 Vdc
 ACTUATOR CURRENT: 110 mA MAX @ 12.0 Vdc
 POWER HANDLING: 200W CW @ 1.0GHz
 IMPEDANCE: 50 Ohms

ENVIRONMENTAL

OPERATING TEMP: -54°C to +90°C
 SINE VIBRATION: 30 G'S rms
 LIFE: 1,000,000 CYCLES
 RANDOM VIBRATION: 20 G'S rms



SPECIFICATIONS

Frequency Range: DC-18.0 GHz
 VSWR: 1.50:1 Max.
 Insertion Loss: 0.50dB Max.
 Isolation: 60dB Min.
 Impedance: 50 Ohms

MATERIAL:		MICROWAVE COMMUNICATIONS LABORATORIES INC. 7255 30TH AVE. N. SAINT PETERSBURG, FL 33710 TEL: (727) 344-6254 FAX: (727) 381-6116 http://WWW.MCLI.COM		SCALE:	N/A
				SHEET:	N/A
UNLESS OTHERWISE SPECIFIED: TOLERANCES IN (INCHES) OR [mm] (MILLIMETERS) FRACTIONS: ± 1/64 DECIMALS: ± .02 ± .009 ANGLE: ± 1/2°		DRAWING TITLE: ELECTROMECHANICAL SWITCHES			
DRAWN: Paiboon Luekhamhan		DATE: 02-23-2006		PART NO. K4-7-LIS/12	
APPROVED: T. Nguyen		DATE: 02-23-2006		CAGE CODE: OD2L5	SIZE: A
PROPRIETARY NOTICE: THE INFORMATION IN THIS DRAWING IS PROPRIETARY AND SHALL NOT BE USED OR DISCLOSED WITHOUT WRITTEN PERMISSION FROM MICROWAVE COMMUNICATIONS LABORATORIES INC. (MCLI)		THIRD ANGLE PROJECTION		REV: N/A	DWG NO. 82503
DO NOT SCALE THE DRAWING					