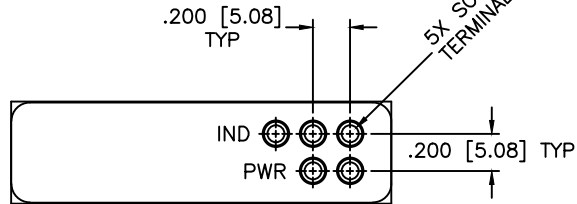
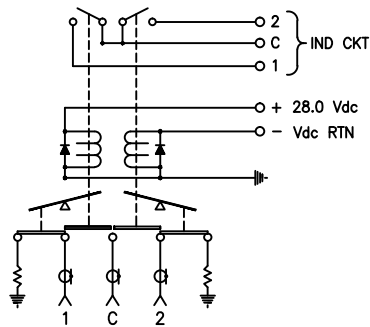


REVISIONS				
ZONE	REV	DESCRIPTION	DATE	APPROVED

**SCHMATIC**  
**FAILSAFE, INDICATOR, SUPPRESSION DIODE**



**MECHANICAL**

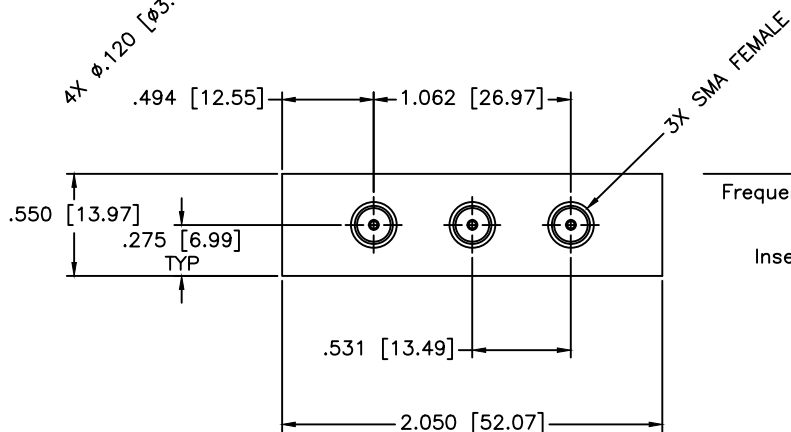
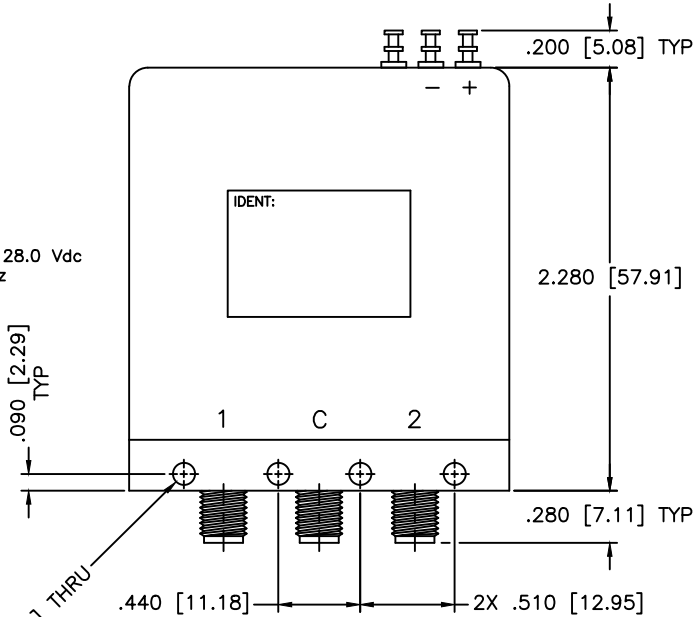
CONTACT: BREAK BEFORE MAKE  
 ACTUATOR: FAILSAFE  
 SWITCHING SPEED: 20 mSEC MAX

**ELECTRICAL**

ACTUATOR VOLTAGE: 28.0±3.0 Vdc  
 ACTUATOR CURRENT: 100 mA MAX @ 28.0 Vdc  
 POWER HANDLING: 200W CW @ 1.0GHz  
 IMPEDANCE: 50 Ohms

**ENVIRONMENTAL**

OPERATING TEMP: -54°C to +90°C  
 SINE VIBRATION: 30 G'S rms  
 LIFE: 1,000,000 CYCLES  
 RANDOM VIBRATION: 20 G'S rms



**SPECIFICATIONS**

Frequency Range: DC-18 GHz  
 VSWR: 1.50:1 Max.  
 Insertion Loss: 0.50dB Max.  
 Isolation: 60dB Min.  
 Impedance: 50 Ohms

MATERIAL:		MICROWAVE COMMUNICATIONS LABORATORIES INC. 7255 30TH AVE. N. SAINT PETERSBURG, FL 33710 TEL: (727) 344-6254 FAX: (727) 381-6116 http://www.MCLI.COM		SCALE:	N/A
				SHEET:	N/A
UNLESS OTHERWISE SPECIFIED: TOLERANCES IN (INCHES) OR [mm] (MILLIMETERS) FRACTIONS: ± 1/64 DECIMALS: ± .02 ± .009 ANGLE: ± 1/2°		DRAWING TITLE: ELECTROMECHANICAL SWITCHES			
DRAWN: Paiboon Luekhamhan		DATE: 02-19-2009		PART NO. K4-7-FIS	
APPROVED: T. Nguyen		DATE: 02-19-2009		CAGE CODE: OD2L5	SIZE: A
		PROPRIETARY NOTICE: THE INFORMATION IN THIS DRAWING IS PROPRIETARY AND SHALL NOT BE USED OR DISCLOSED WITHOUT WRITTEN PERMISSION FROM MICROWAVE COMMUNICATIONS LABORATORIES INC. (MCLI)		REV: N/A	DWG NO. 84175
		THIRD ANGLE PROJECTION		DO NOT SCALE THE DRAWING	