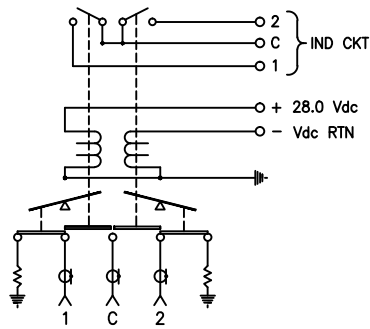


REVISIONS				
ZONE	REV	DESCRIPTION	DATE	APPROVED

**SCHEMATIC**  
SHOWN IN FAILSAFE, INDICATOR



**MECHANICAL**

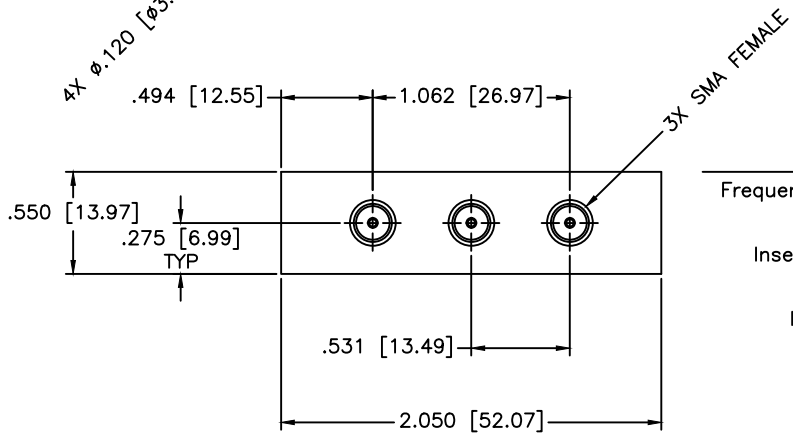
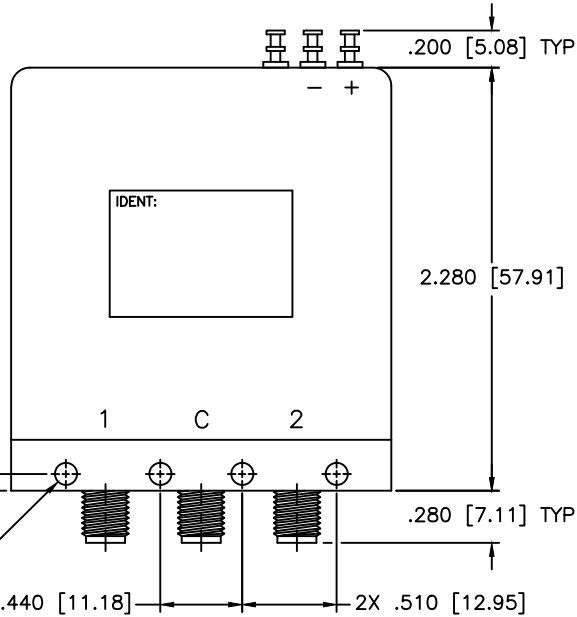
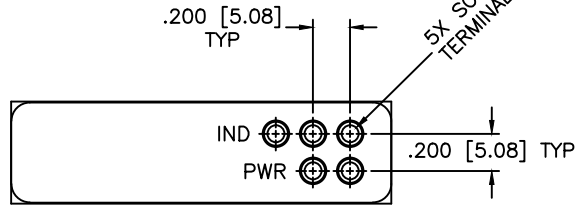
CONTACT: BREAK BEFORE MAKE  
ACTUATOR: FAILSAFE  
SWITCHING SPEED: 20 mSEC MAX

**ELECTRICAL**

ACTUATOR VOLTAGE: 28.0±3.0 Vdc  
ACTUATOR CURRENT: 100 mA MAX @ 28.0 Vdc  
POWER HANDLING: 200W CW @ 1.0GHz  
IMPEDANCE: 50 Ohms

**ENVIRONMENTAL**

OPERATING TEMP: -54°C to +90°C  
SINE VIBRATION: 30 G'S rms  
LIFE: 1,000,000 CYCLES  
RANDOM VIBRATION: 20 G'S rms



**SPECIFICATIONS**

Frequency Range: DC-18 GHz  
VSWR: 1.50:1 Max.  
Insertion Loss: 0.50dB Max.  
Isolation: 60dB Min.  
Impedance: 50 Ohms

MATERIAL:		<b>MCLI</b> MICROWAVE COMMUNICATIONS LABORATORIES INC. 7255 30TH AVE. N. SAINT PETERSBURG, FL 33710 TEL: (727) 344-6254 FAX: (727) 381-6116 http://www.MCLI.COM		SCALE:	N/A
				SHEET:	N/A
DRAWN: Paiboon Luekhamhan		DATE: 04-19-2001	DRAWING TITLE: ELECTROMECHANICAL SWITCHES		
APPROVED: T. Nguyen		DATE: 04-19-2001	PART NO. K4-7-FI		
UNLESS OTHERWISE SPECIFIED: TOLERANCES IN (INCHES) OR [mm] (MILLIMETERS) FRACTIONS: ± 1/64 DECIMALS: ± .02 ± .009 ANGLE: ± 1/2°		PROPERTY NOTICE: THE INFORMATION IN THIS DRAWING IS PROPRIETARY AND SHALL NOT BE USED OR DISCLOSED WITHOUT WRITTEN PERMISSION FROM MICROWAVE COMMUNICATIONS LABORATORIES INC. (MCLI)	CAGE CODE: OD2L5	SIZE: A	REV: N/A
THIRD ANGLE PROJECTION		DO NOT SCALE THE DRAWING		DWG NO. 82044	