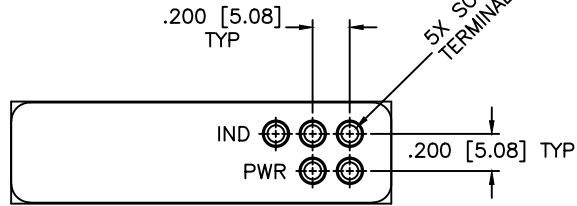
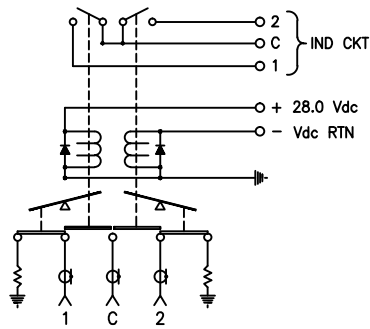


REVISIONS				
ZONE	REV	DESCRIPTION	DATE	APPROVED

SCHMATIC
FAILSAFE, INDICATOR, SUPPRESSION DIODE



MECHANICAL

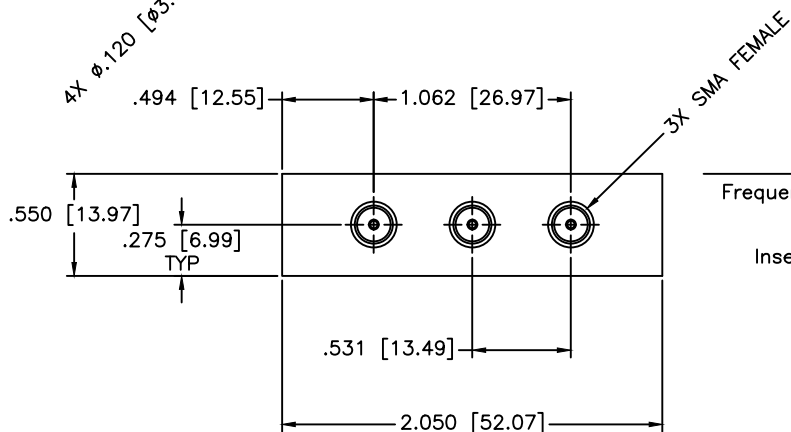
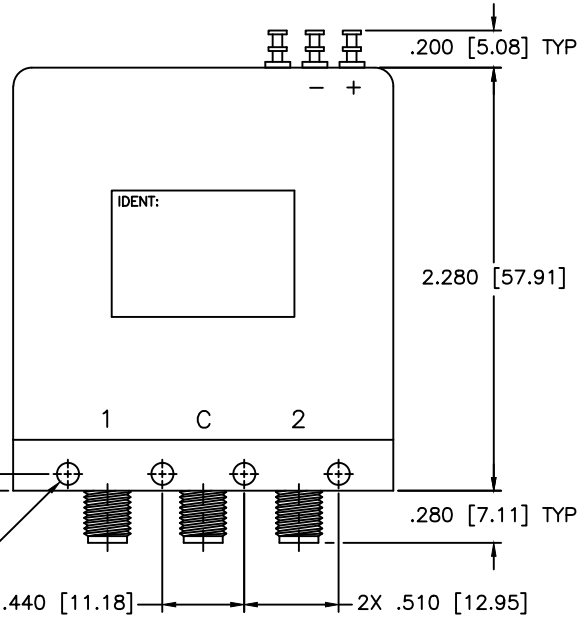
CONTACT: BREAK BEFORE MAKE
ACTUATOR: FAILSAFE
SWITCHING SPEED: 20 mSEC MAX

ELECTRICAL

ACTUATOR VOLTAGE: 28.0±3.0 Vdc
ACTUATOR CURRENT: 100 mA MAX @ 28.0 Vdc
POWER HANDLING: 200W CW @ 1.0GHz
IMPEDANCE: 50 Ohms

ENVIRONMENTAL

OPERATING TEMP: -54°C to +90°C
SINE VIBRATION: 30 G'S rms
LIFE: 1,000,000 CYCLES
RANDOM VIBRATION: 20 G'S rms



SPECIFICATIONS

Frequency Range: DC-12.4 GHz
VSWR: 1.40:1 Max.
Insertion Loss: 0.40dB Max.
Isolation: 70dB Min.
Impedance: 50 Ohms

MATERIAL:		MCLI MICROWAVE COMMUNICATIONS LABORATORIES INC. 7255 30TH AVE. N. SAINT PETERSBURG, FL 33710 TEL: (727) 344-6254 FAX: (727) 381-6116 http://WWW.MCLI.COM		SCALE:	N/A
				SHEET:	N/A
DRAWN: Paiboon Luekhamhan		DATE: 04-03-2001	DRAWING TITLE: ELECTROMECHANICAL SWITCHES PART NO.: K4-6-FIS CAGE CODE: OD2L5		
APPROVED: T. Nguyen		DATE: 04-03-2001	SIZE: A	REV: N/A	DWG NO.: 82324
		UNLESS OTHERWISE SPECIFIED: TOLERANCES IN (INCHES) OR [mm] (MILLIMETERS) FRACTIONS: ± 1/64 DECIMALS: ±.02 ±.009 ANGLE: ±1/2°		PROPRIETARY NOTICE: THE INFORMATION IN THIS DRAWING IS PROPRIETARY AND SHALL NOT BE USED OR DISCLOSED WITHOUT WRITTEN PERMISSION FROM MICROWAVE COMMUNICATIONS LABORATORIES INC. (MCLI) THIRD ANGLE PROJECTION	
				DO NOT SCALE THE DRAWING	