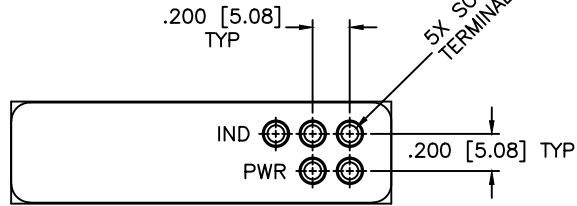
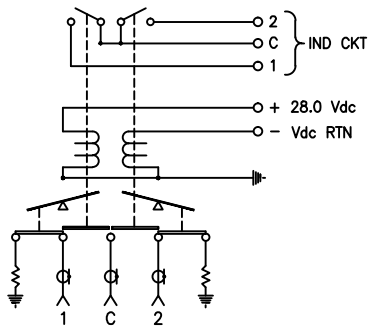


REVISIONS				
ZONE	REV	DESCRIPTION	DATE	APPROVED

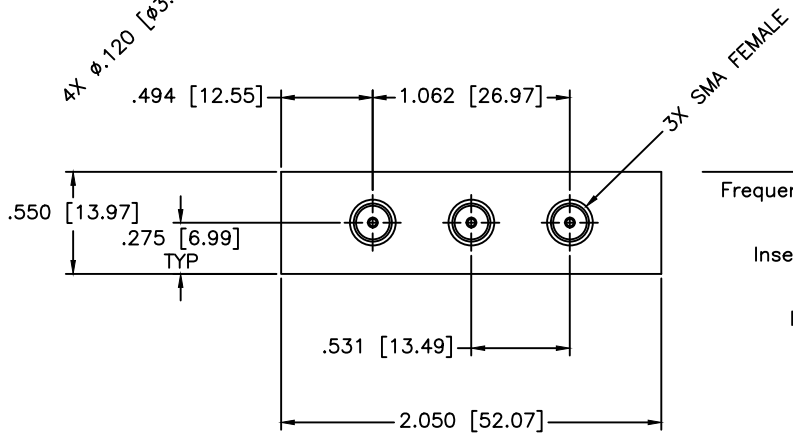
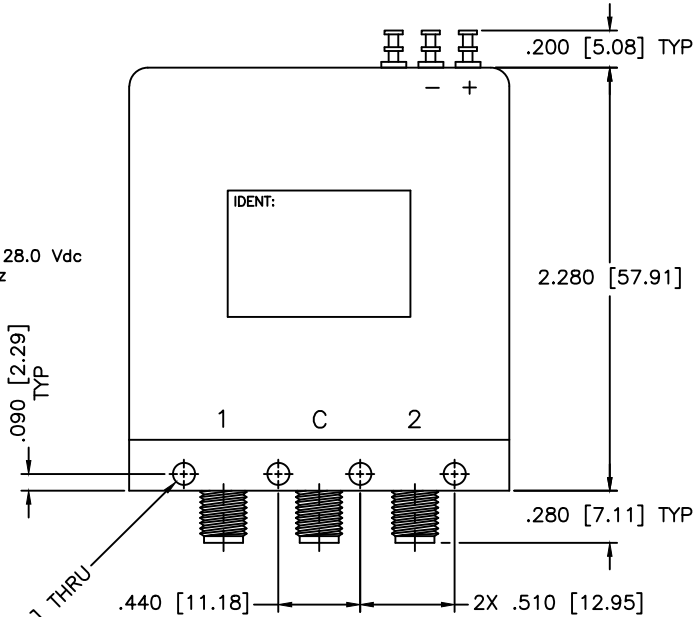
SCHEMATIC  
SHOWN IN FAILSAFE, INDICATOR



MECHANICAL  
CONTACT: BREAK BEFORE MAKE  
ACTUATOR: FAILSAFE  
SWITCHING SPEED: 20 mSEC MAX

ELECTRICAL  
ACTUATOR VOLTAGE: 28.0±3.0 Vdc  
ACTUATOR CURRENT: 100 mA MAX @ 28.0 Vdc  
POWER HANDLING: 200W CW @ 1.0GHz  
IMPEDANCE: 50 Ohms

ENVIRONMENTAL  
OPERATING TEMP: -54°C to +90°C  
SINE VIBRATION: 30 G'S rms  
LIFE: 1,000,000 CYCLES  
RANDOM VIBRATION: 20 G'S rms



SPECIFICATIONS  
Frequency Range: DC-12.4 GHz  
VSWR: 1.40:1 Max.  
Insertion Loss: 0.40dB Max.  
Isolation: 70dB Min.  
Impedance: 50 Ohms

MATERIAL:				MICROWAVE COMMUNICATIONS LABORATORIES INC. 7255 30TH AVE. N. SAINT PETERSBURG, FL 33710 TEL: (727) 344-6254 FAX: (727) 381-6116 http://WWW.MCLI.COM		SCALE:	N/A
UNLESS OTHERWISE SPECIFIED: TOLERANCES IN (INCHES) OR [mm] (MILLIMETERS) FRACTIONS: ± 1/64 DECIMALS: ±.02 ±.009 ANGLE: ±1/2°				DRAWING TITLE:	ELECTROMECHANICAL SWITCHES		
DRAWN:	Paiboon Luekhamhan	DATE:	04-03-2001	PART NO.	K4-6-FI		
APPROVED:	T. Nguyen	DATE:	04-03-2001	CAGE CODE:	OD2L5	SIZE:	A
PROPRIETARY NOTICE: THE INFORMATION IN THIS DRAWING IS PROPRIETARY AND SHALL NOT BE USED OR DISCLOSED WITHOUT WRITTEN PERMISSION FROM MICROWAVE COMMUNICATIONS LABORATORIES INC. (MCLI) THIRD ANGLE PROJECTION				REV:	N/A	DWG NO.	82045
DO NOT SCALE THE DRAWING							