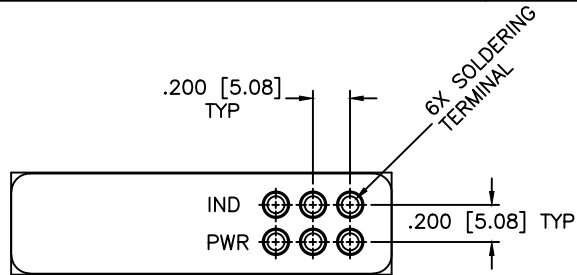
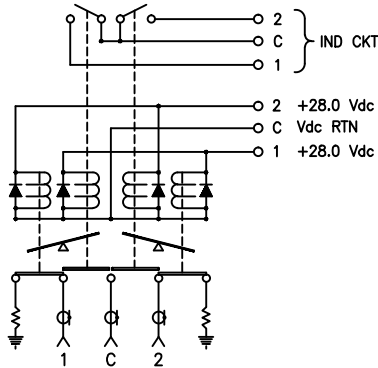


REVISIONS				
ZONE	REV	DESCRIPTION	DATE	APPROVED

**SCHEMATIC**  
LATCHING, INDICATOR, SUPPRESSION DIODE



**MECHANICAL**

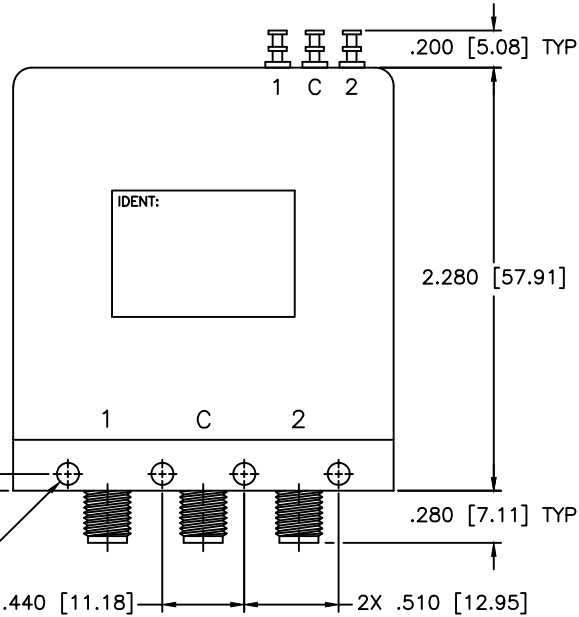
CONTACT: BREAK BEFORE MAKE  
ACTUATOR: LATCHING  
SWITCHING SPEED: 20 mSEC MAX

**ELECTRICAL**

ACTUATOR VOLTAGE: 28.0±3.0 Vdc  
ACTUATOR CURRENT: 75 mA MAX @ 28.0 Vdc  
POWER HANDLING: 200W CW @ 1.0GHz  
IMPEDANCE: 50 Ohms

**ENVIRONMENTAL**

OPERATING TEMP: -54°C to +90°C  
SINE VIBRATION: 30 G'S rms  
LIFE: 1,000,000 CYCLES  
RANDOM VIBRATION: 20 G'S rms



4X  $\phi$ .120 [3.05] THRU

3X SMA FEMALE

**SPECIFICATIONS**

Frequency Range: DC-4.0 GHz  
VSWR: 1.25:1 Max.  
Insertion Loss: 0.25dB Max.  
Isolation: 80dB Min.  
Impedance: 50 Ohms

MATERIAL:	
DRAWN: Paiboon Luekhamhan	DATE: 04-02-2001
APPROVED: T. Nguyen	DATE: 04-02-2001



MICROWAVE COMMUNICATIONS LABORATORIES INC.  
7255 30TH AVE. N. SAINT PETERSBURG, FL 33710  
TEL: (727) 344-6254 FAX: (727) 381-6116  
http://WWW.MCLI.COM

SCALE:	N/A
SHEET:	N/A

UNLESS OTHERWISE SPECIFIED:  
TOLERANCES  
IN (INCHES) OR [mm] (MILLIMETERS)  
FRACTIONS: ± 1/64  
DECIMALS: ± .02 ± .009  
ANGLE: ± 1/2°

DRAWING TITLE:  
ELECTROMECHANICAL SWITCHES

PROPRIETARY NOTICE:  
THE INFORMATION IN THIS DRAWING IS PROPRIETARY  
AND SHALL NOT BE USED OR DISCLOSED WITHOUT WRITTEN  
PERMISSION FROM MICROWAVE COMMUNICATIONS  
LABORATORIES INC. (MCLI)  
THIRD ANGLE PROJECTION

PART NO. K4-3-LIS	CAGE CODE: OD2L5	SIZE: A	REV: N/A	DWG NO. 82356
DO NOT SCALE THE DRAWING				