

REVISIONS

ZONE	REV	DESCRIPTION	Date	APPROVED
------	-----	-------------	------	----------

SPECIFICATIONS

FREQUENCY RANGE: DC-1.0 GHz  
 VSWR: 1.20:1 MAX.  
 INSERTION LOSS: 0.20dB MAX.  
 ISOLATION: 90dB MIN.  
 IMPEDANCE: 50 OHMS

MECHANICAL

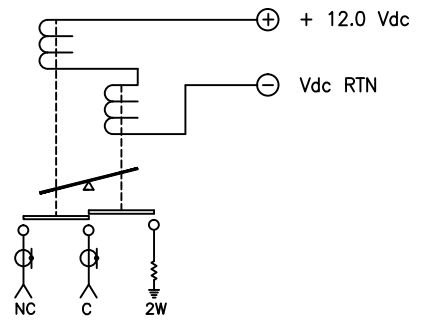
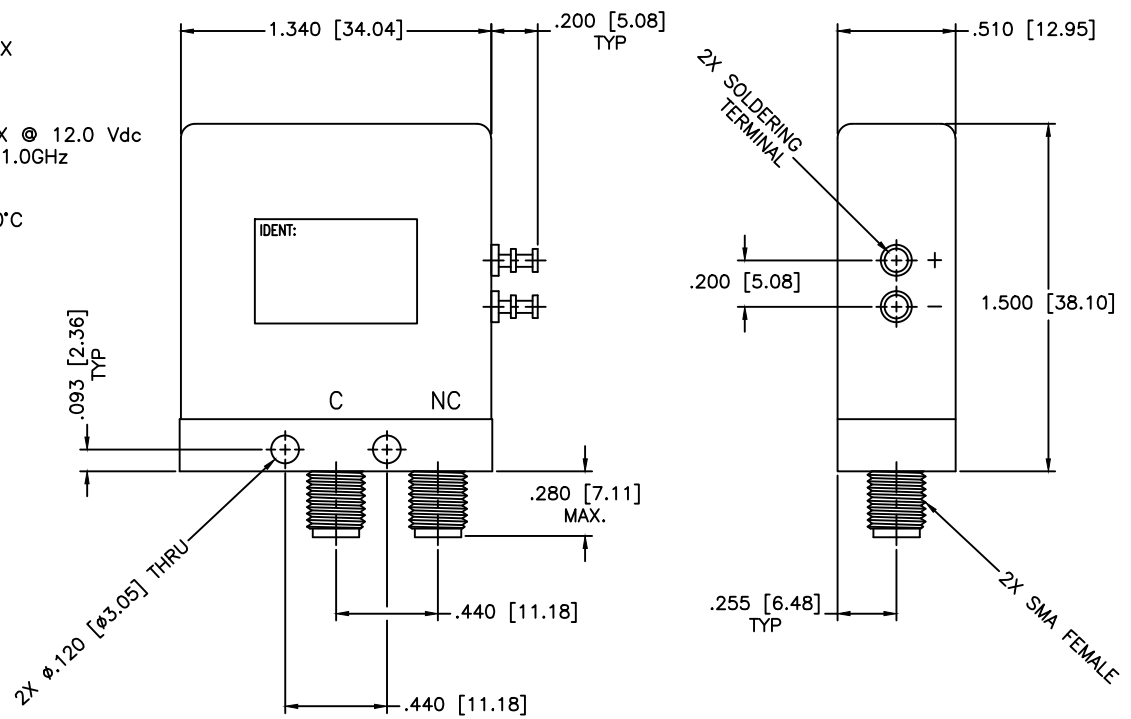
CONTACT: BREAK BEFORE MAKE  
 ACTUATOR: FAILSAFE  
 SWITCHING SPEED: 20 mSEC MAX

ELECTRICAL

ACTUATOR VOLTAGE: 12.0 Vdc  
 ACTUATOR CURRENT: 100mA MAX @ 12.0 Vdc  
 POWER HANDLING: 200W CW @ 1.0GHz

ENVIRONMENTAL

OPERATING TEMP: -54°C to +90°C  
 SINE VIBRATION: 30 G'S rms  
 LIFE: 1,000,000 CYCLES  
 RANDOM VIBRATION: 20 G'S rms



MATERIAL:	
DRAWN: Paiboon Luekhamhan	DATE: 03-01-2001
APPROVED: T. Nguyen	DATE: 03-01-2001

<b>MCLI</b> MICROWAVE COMMUNICATIONS LABORATORIES INC. 7255 30TH AVE. N. SAINT PETERSBURG, FL 33710 TEL: (727) 344-6254 FAX: (727) 381-6116 http://WWW.MCLI.COM	SCALE:	N/A
	SHEET:	N/A
UNLESS OTHERWISE SPECIFIED: TOLERANCES IN (INCHES) OR [mm] (MILLIMETERS) FRACTIONS: ± 1/64 DECIMALS: ±.02 ±.008 ANGLE: ±1/2°	DRAWING TITLE: ELECTROMECHANICAL SWITCHES	
FREQUENTLY USED: THE INFORMATION IN THIS DRAWING IS PROPRIETARY AND SHALL NOT BE USED OR DISCLOSED WITHOUT WRITTEN PERMISSION FROM MICROWAVE COMMUNICATIONS LABORATORIES INC. (MCLI)	PART NO. K30-1-F	
THIRD ANGLE PROJECTION 	CAGE CODE:	OD2L5
	SIZE:	N/A
	REV:	N/A
	DO NOT SCALE THE DRAWING	
	DWG NO.	81593