

REVISIONS				
ZONE	REV	DESCRIPTION	DATE	APPROVED

**MECHANICAL**

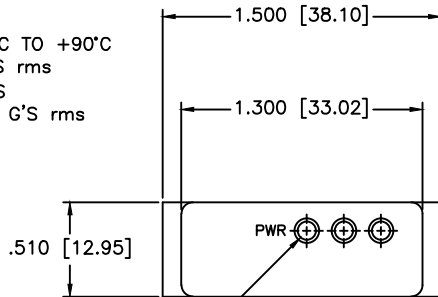
CONTACT: BREAK BEFORE MAKE  
 ACTUATOR: FAILSAFE  
 SWITCHING SPEED: 20mSEC Max.

**ELECTRICAL**

ACTUATOR VOLTAGE: 28.0Vdc  
 ACTUATOR CURRENT: 0.100A Max. @ 28.0Vdc  
 POWER HANDLING: 200W CW @ 1.0GHz

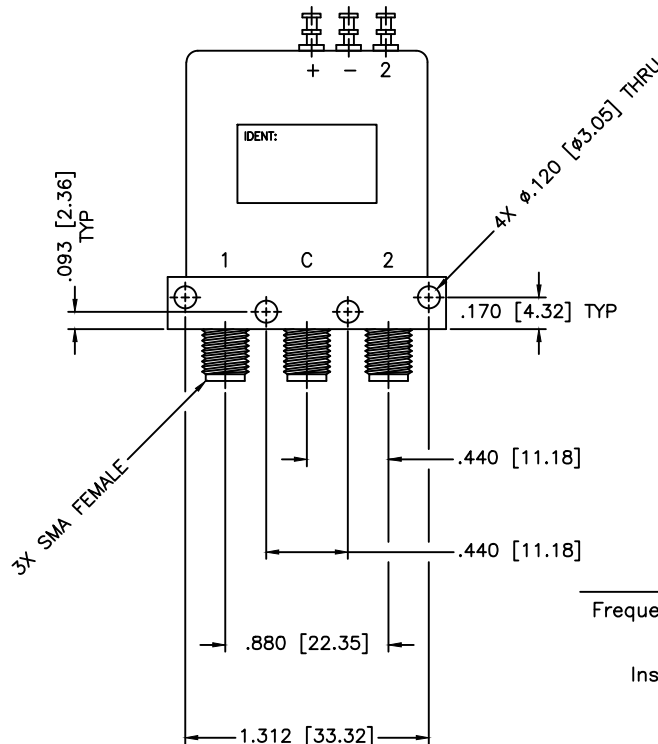
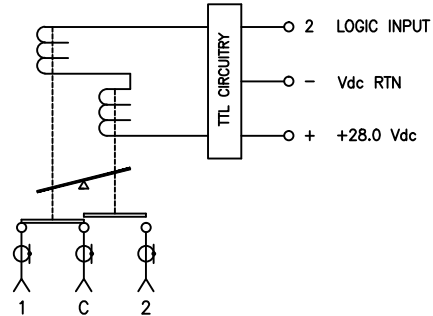
**ENVIRONMENTAL**

OPERATING TEMP: -54°C TO +90°C  
 SINE VIBRATION: 30 G'S rms  
 LIFE: 1,000,000 CYCLES  
 RANDOM VIBRATION: 20 G'S rms

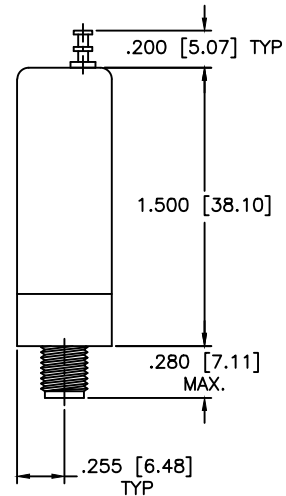


3X SOLDERING TERMINAL

**SCHEMATIC**  
 SHOWN IN FAILSAFE, TTL



3X SMA FEMALE



**SPECIFICATIONS**

Frequency Range: DC-26.5 GHz  
 VSWR: 1.60:1 Max.  
 Insertion Loss: 0.70dB Max.  
 Isolation: 50dB Min.  
 Impedance: 50 Ohms

MATERIAL:			MICROWAVE COMMUNICATIONS LABORATORIES INC. 7255 30TH AVE. N. SAINT PETERSBURG, FL 33710 TEL: (727) 344-6254 FAX: (727) 381-6116 http://WWW.MCLI.COM		SCALE:	N/A
					SHEET:	N/A
UNLESS OTHERWISE SPECIFIED: TOLERANCES IN (INCHES) OR [mm] (MILLIMETERS) FRACTIONS: ± 1/64 DECIMALS: ±.02 ±.009 ANGLE: ±1/2°		DRAWING TITLE: COAXIAL RF SWITCHES				
DRAWN: Paiboon Luexhamhan		DATE: 06-09-2010		PART NO. K3-8-FL		
APPROVED: T. Nguyen		DATE: 06-09-2010		CAGE CODE:	SIZE: A	REV: N/A
		PROPRIETARY NOTICE: THE INFORMATION IN THIS DRAWING IS PROPRIETARY AND SHALL NOT BE USED OR DISCLOSED WITHOUT WRITTEN PERMISSION FROM MICROWAVE COMMUNICATIONS LABORATORIES INC. (MCLI)		DWG NO.		84909
		THIRD ANGLE PROJECTION 		DO NOT SCALE THE DRAWING		