

REVISIONS				
ZONE	REV	DESCRIPTION	DATE	APPROVED

**MECHANICAL**

CONTACT: BREAK BEFORE MAKE  
 ACTUATOR: LATCHING  
 SWITCHING SPEED: 20mSEC Max.

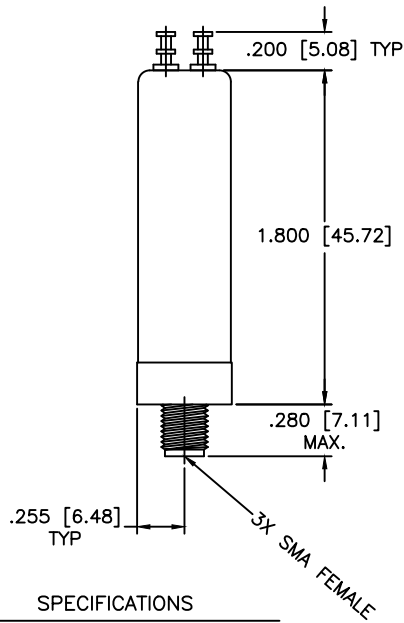
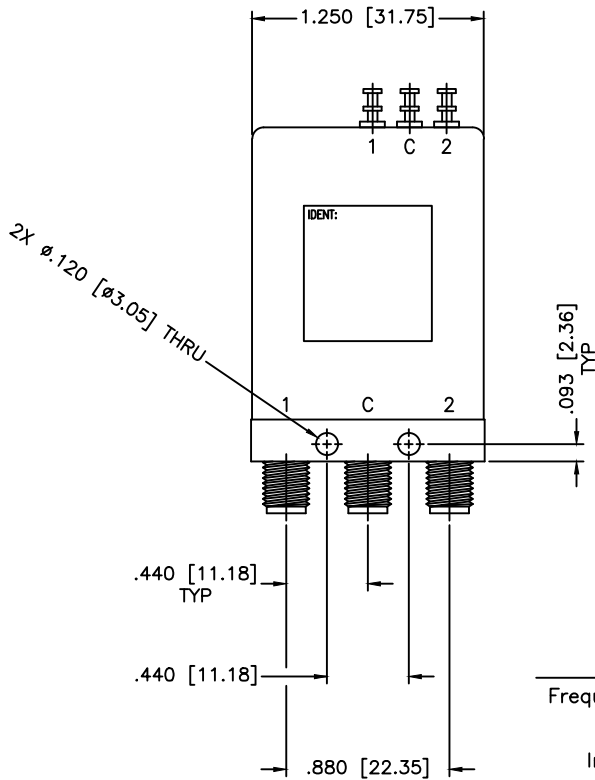
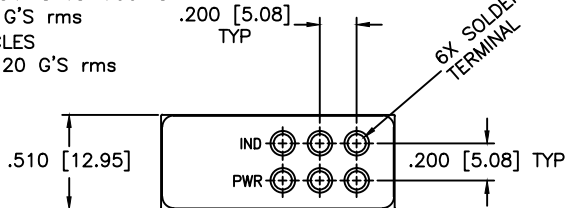
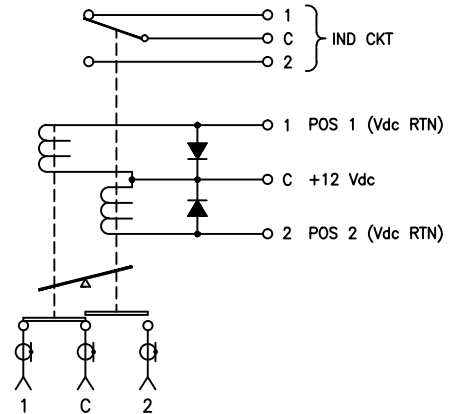
**ELECTRICAL**

ACTUATOR VOLTAGE: 12.0Vdc  
 ACTUATOR CURRENT: 110mA Max. @ 12.0Vdc  
 POWER HANDLING: 200W CW @ 1.0GHz

**ENVIRONMENTAL**

OPERATING TEMP: -54° C TO +90° C  
 SINE VIBRATION: 30 G'S rms  
 LIFE: 1,000,000 CYCLES  
 RANDOM VIBRATION: 20 G'S rms

**SCHEMATIC**  
 LATCHING, INDICATOR, SUPPRESSION DIODE



**SPECIFICATIONS**

Frequency Range: DC-26.5 GHz  
 VSWR: 1.60:1 Max.  
 Insertion Loss: 0.70dB  
 Isolation: 50dB  
 Impedance: 50 Ohms

MATERIAL:			MICROWAVE COMMUNICATIONS LABORATORIES INC. 7255 30TH AVE. N. SAINT PETERSBURG, FL 33710 TEL: (727) 344-6254 FAX: (727) 381-6116 http://WWW.MCLI.COM		SCALE:	N/A		
					SHEET:	N/A		
UNLESS OTHERWISE SPECIFIED: TOLERANCES IN (INCHES) OR [mm] (MILLIMETERS) FRACTIONS: ± 1/64 DECIMALS: ± .02 ± .009 ANGLE: ± 1/2°		DRAWING TITLE:				COAXIAL RF SWITCHES		
DRAWN: Paiboon Luekhamhan		DATE: 03-04-2001		PART NO. K2-8-LIS/12P				
APPROVED: T. Nguyen		DATE: 03-04-2001		CAGE CODE: OD2L5		SIZE: A	REV: N/A	DWG NO. 81655
		THIRD ANGLE PROJECTION 		DO NOT SCALE THE DRAWING				