

REVISIONS				
ZONE	REV	DESCRIPTION	DATE	APPROVED

**MECHANICAL**

CONTACT: BREAK BEFORE MAKE  
 ACTUATOR: LATCHING  
 SWITCHING SPEED: 20mSEC Max.

**ELECTRICAL**

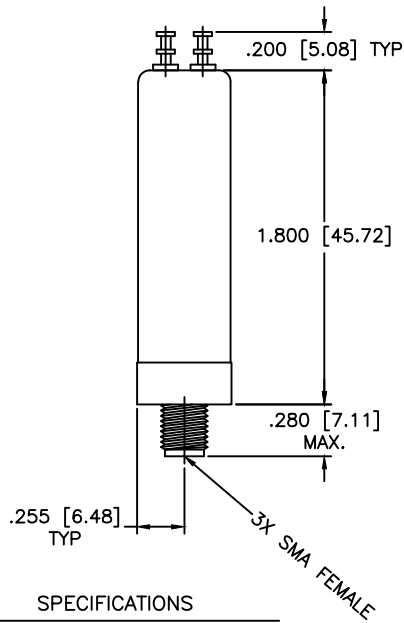
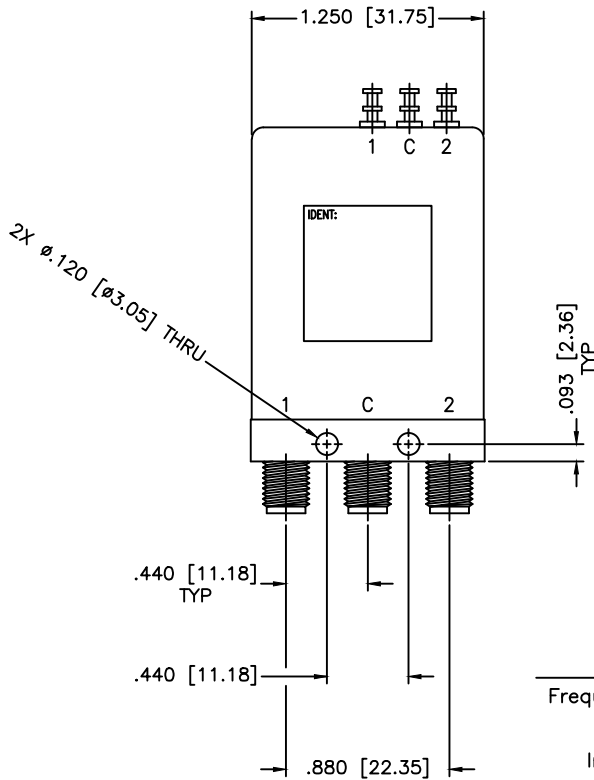
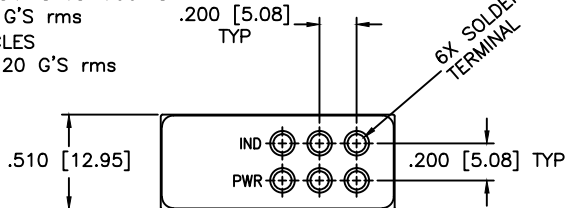
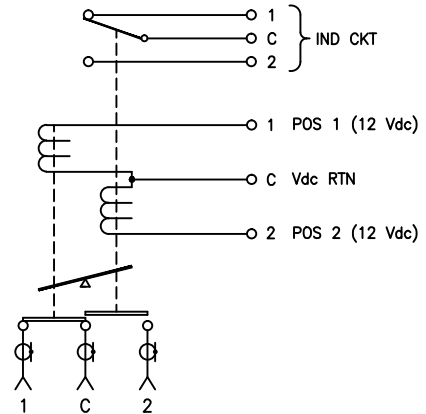
ACTUATOR VOLTAGE: 12.0Vdc  
 ACTUATOR CURRENT: 110mA Max. @ 12.0Vdc  
 POWER HANDLING: 200W CW @ 1.0GHz

**ENVIRONMENTAL**

OPERATING TEMP: -54° C TO +90° C  
 SINE VIBRATION: 30 G'S rms  
 LIFE: 1,000,000 CYCLES  
 RANDOM VIBRATION: 20 G'S rms

**SCHEMATIC**

SHOWN IN LATCHING, INDICATOR



**SPECIFICATIONS**

Frequency Range: DC-26.5 GHz  
 VSWR: 1.60:1 Max.  
 Insertion Loss: 0.70dB  
 Isolation: 50dB  
 Impedance: 50 Ohms

MATERIAL:	
DRAWN: Paiboon Luexhamhan	
DATE: 03-04-2001	APPROVED: T. Nguyen

**MCLI** MICROWAVE COMMUNICATIONS LABORATORIES INC.  
 7255 30TH AVE. N. SAINT PETERSBURG, FL 33710  
 TEL: (727) 344-6254 FAX: (727) 381-6116  
 http://WWW.MCLI.COM

SCALE:	N/A
SHEET:	N/A

UNLESS OTHERWISE SPECIFIED:  
 TOLERANCES  
 IN (INCHES) OR [mm] (MILLIMETERS)  
 FRACTIONS: ± 1/64  
 DECIMALS: ±.02 ±.009  
 ANGLE: ±1/2°

DRAWING TITLE: COAXIAL RF SWITCHES

PART NO. K2-8-LI/12

THIRD ANGLE PROJECTION

CAGE CODE: OD2L5	SIZE: A	REV: A	DWG NO. 82178
DO NOT SCALE THE DRAWING			