

REVISIONS				
ZONE	REV	DESCRIPTION	DATE	APPROVED

MECHANICAL

CONTACT: BREAK BEFORE MAKE
 ACTUATOR: FAILSAFE
 SWITCHING SPEED: 20mSEC Max.

ELECTRICAL

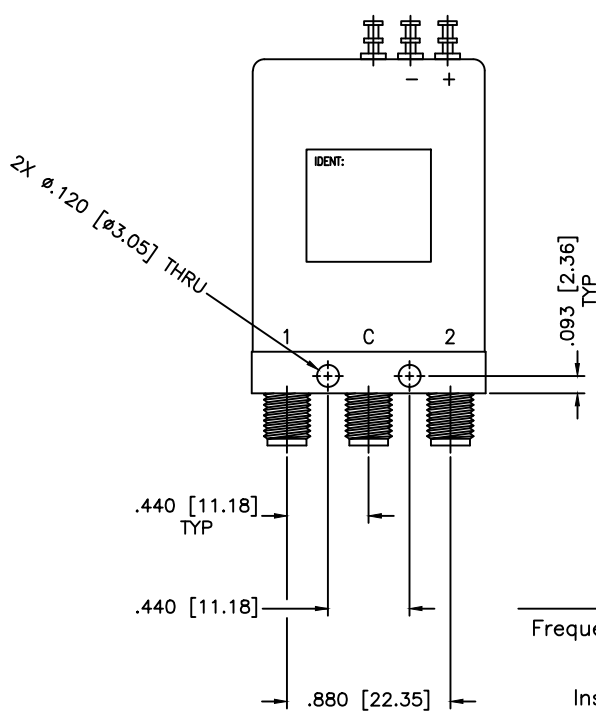
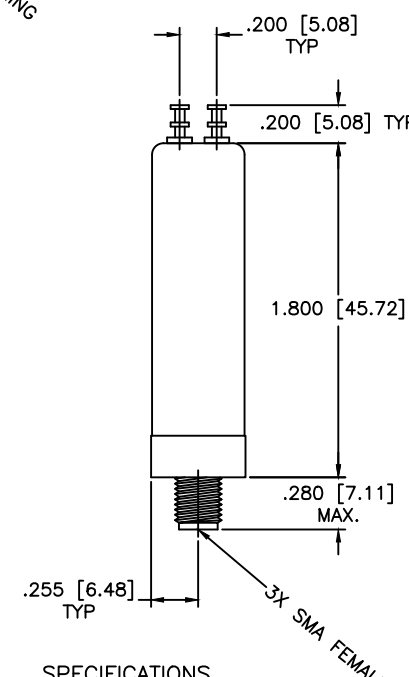
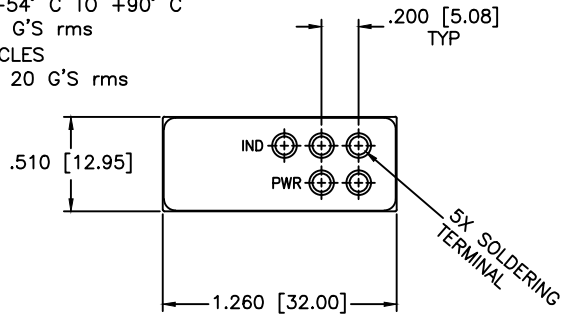
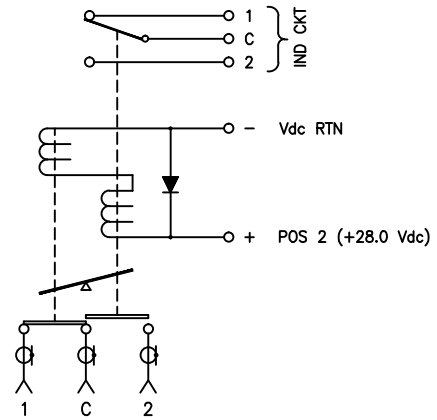
ACTUATOR VOLTAGE: 28.0Vdc
 ACTUATOR CURRENT: 0.100A Max. @ 28.0Vdc
 POWER HANDLING: 200W CW @ 1.0GHz

ENVIRONMENTAL

OPERATING TEMP: -54° C TO +90° C
 SINE VIBRATION: 30 G'S rms
 LIFE: 1,000,000 CYCLES
 RANDOM VIBRATION: 20 G'S rms

SCHEMATIC

FAILSAFE, INDICATOR, SUPPRESSION DIODE



SPECIFICATIONS

Frequency Range: DC-26.5 GHz
 VSWR: 1.50:1 Max.
 Insertion Loss: 0.50dB
 Isolation: 60dB
 Impedance: 50 Ohms

MATERIAL:			MICROWAVE COMMUNICATIONS LABORATORIES INC. 7255 30TH AVE. N. SAINT PETERSBURG, FL 33710 TEL: (727) 344-6254 FAX: (727) 381-6116 http://WWW.MCLI.COM		SCALE:	N/A
					SHEET:	N/A
UNLESS OTHERWISE SPECIFIED:		DRAWING TITLE:				
TOLERANCES		COAXIAL RF SWITCHES				
IN (INCHES) OR [mm] (MILLIMETERS)		PART NO.				
FRACTIONS: ± 1/64		K2-8-FIS				
DECIMALS: ±.02 ±.009		CAGE CODE:		SIZE:	REV:	DWG NO.
ANGLE: ±1/2°		OD2L5		A	A	82182
DRAWN:	DATE:	PROPRIETARY NOTICE:		DO NOT SCALE THE DRAWING		
Paiboon Luexhamhan	03-04-2001	THE INFORMATION IN THIS DRAWING IS PROPRIETARY AND SHALL NOT BE USED OR DISCLOSED WITHOUT WRITTEN PERMISSION FROM MICROWAVE COMMUNICATIONS LABORATORIES INC. (MCLI)				
APPROVED:	DATE:	THIRD ANGLE PROJECTION				
T. Nguyen	03-04-2001					