

REVISIONS				
ZONE	REV	DESCRIPTION	DATE	APPROVED

MECHANICAL

CONTACT: BREAK BEFORE MAKE
 ACTUATOR: LATCHING
 SWITCHING SPEED: 20 mSEC MAX

ELECTRICAL

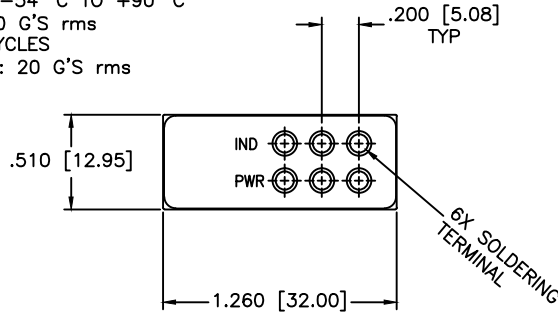
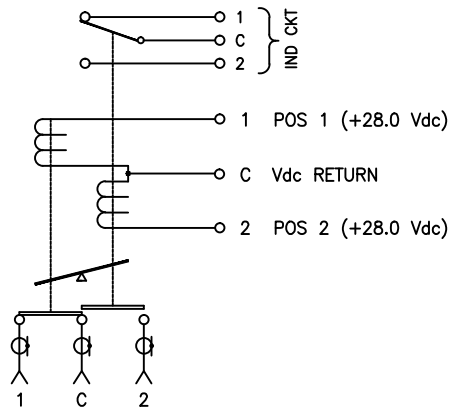
ACTUATOR VOLTAGE: 28.0 Vdc
 ACTUATOR CURRENT: 0.100 A MAX @ 28.0 Vdc
 POWER HANDLING: 200W CW @ 1.0 GHz

ENVIRONMENTAL

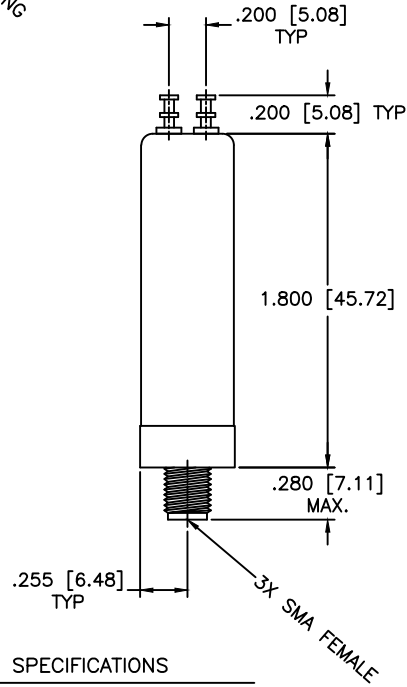
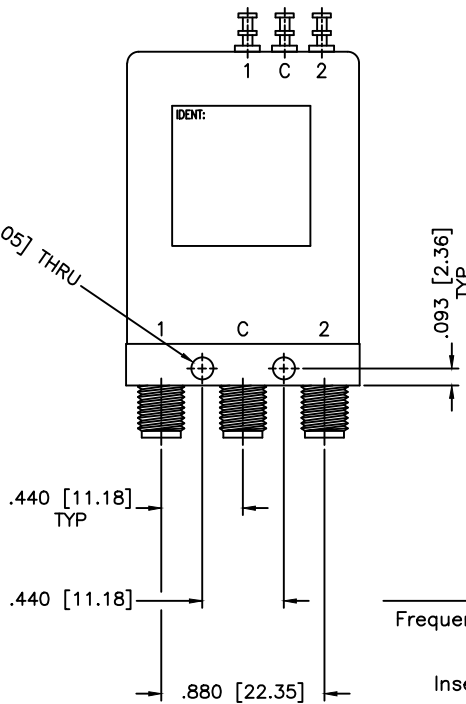
OPERATING TEMP: -54° C TO +90° C
 SINE VIBRATION: 30 G'S rms
 LIFE: 1,000,000 CYCLES
 RANDOM VIBRATION: 20 G'S rms

SCHEMATIC

SHOWN IN LATCHING, INDICATOR



2X ϕ .120 [ϕ 3.05] THRU



SPECIFICATIONS

Frequency Range: DC-4.0 GHz
 VSWR: 1.25:1 Max.
 Insertion Loss: 0.25dB
 Isolation: 80dB
 Impedance: 50 Ohms

MATERIAL:			MICROWAVE COMMUNICATIONS LABORATORIES INC. 7255 30TH AVE. N. SAINT PETERSBURG, FL 33710 TEL: (727) 344-6254 FAX: (727) 381-6116 http://WWW.MCLI.COM		SCALE:	N/A
					SHEET:	N/A
UNLESS OTHERWISE SPECIFIED: TOLERANCES IN (INCHES) OR [mm] (MILLIMETERS) FRACTIONS: $\pm 1/64$ DECIMALS: $\pm .02 \pm .009$ ANGLE: $\pm 1/2^\circ$		DRAWING TITLE: COAXIAL RF SWITCHES				
DRAWN: Paiboon Luekhamhan		DATE: 04-02-2001		PART NO. K2-3-LI		
APPROVED: T. Nguyen		DATE: 04-02-2001		CAGE CODE:	SIZE: A	REV: N/A
THIRD ANGLE PROJECTION				OD2L5	DWG NO. 81651	
DO NOT SCALE THE DRAWING						