

REVISIONS				
ZONE	REV	DESCRIPTION	DATE	APPROVED

MECHANICAL
 CONTACT: BREAK BEFORE MAKE
 ACTUATOR: LATCHING
 SWITCHING SPEED: 20mSEC Max.

ELECTRICAL
 ACTUATOR VOLTAGE: 12.0Vdc
 ACTUATOR CURRENT: 0.100A Max. @ 12.0Vdc
 POWER HANDLING: 200W CW @ 1.0GHz

ENVIRONMENTAL
 OPERATING TEMP: -54° C TO +90° C
 SINE VIBRATION: 30 G'S rms
 LIFE: 1,000,000 CYCLES
 RANDOM VIBRATION: 20 G'S rms

SCHMATIC

SHOWN IN LATCHING, TTL

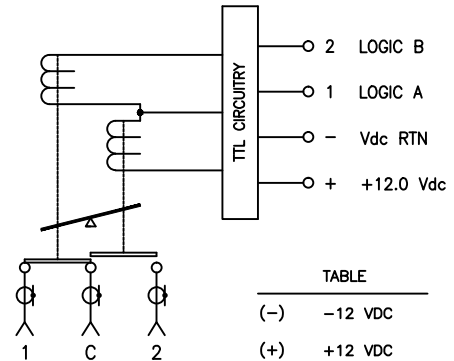
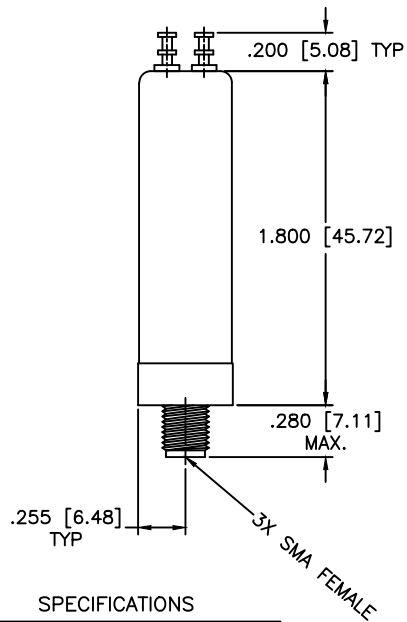
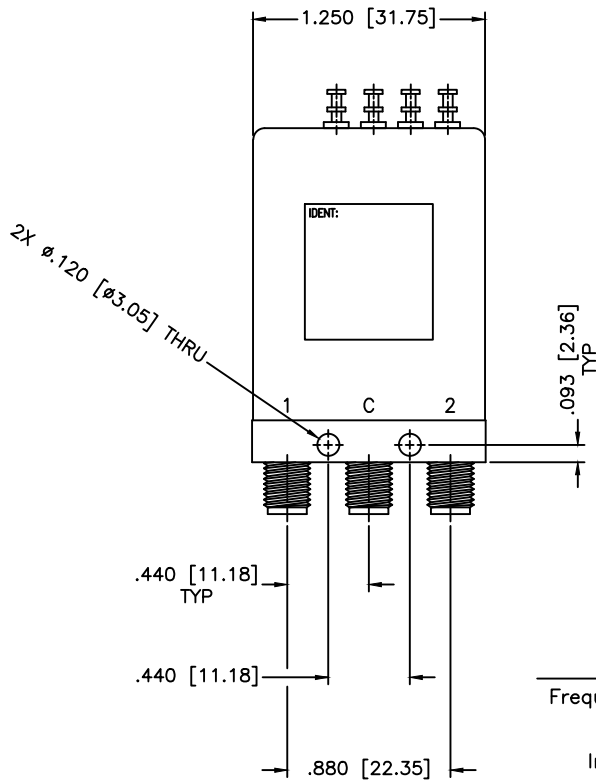
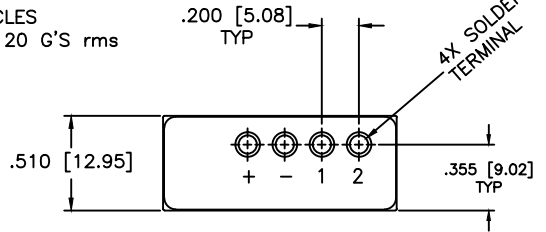


TABLE	
(-)	-12 VDC
(+)	+12 VDC
(1)	+5 VDC TTL
(2)	+5 VDC TTL



SPECIFICATIONS

Frequency Range: DC-2.0 GHz
 VSWR: 1.20:1 Max.
 Insertion Loss: 0.20dB
 Isolation: 90dB
 Impedance: 50 Ohms

MATERIAL:		MICROWAVE COMMUNICATIONS LABORATORIES INC. 7255 30TH AVE. N. SAINT PETERSBURG, FL 33710 TEL: (727) 344-6254 FAX: (727) 381-6116 http://WWW.MCLI.COM		SCALE:	N/A
				SHEET:	N/A
UNLESS OTHERWISE SPECIFIED: TOLERANCES IN (INCHES) OR [mm] (MILLIMETERS) FRACTIONS: ± 1/64 DECIMALS: ±.02 ±.009 ANGLE: ±1/2°		DRAWING TITLE: COAXIAL RF SWITCHES			
DRAWN: Paiboon Luexhamhan		DATE: 01-10-2005		PART NO. K2-2-LL/12P	
APPROVED: T. Nguyen		DATE: 01-10-2005		CAGE CODE:	OD2L5
PROPRIETARY NOTICE: THE INFORMATION IN THIS DRAWING IS PROPRIETARY AND SHALL NOT BE USED OR DISCLOSED WITHOUT WRITTEN PERMISSION FROM MICROWAVE COMMUNICATIONS LABORATORIES INC. (MCLI)		SIZE:	A	REV:	N/A
THIRD ANGLE PROJECTION 		DWG NO.		82337	
DO NOT SCALE THE DRAWING					