

REVISIONS				
ZONE	REV	DESCRIPTION	DATE	APPROVED

MECHANICAL

CONTACT: BREAK BEFORE MAKE
 ACTUATOR: LATCHING
 SWITCHING SPEED: 20mSEC Max.

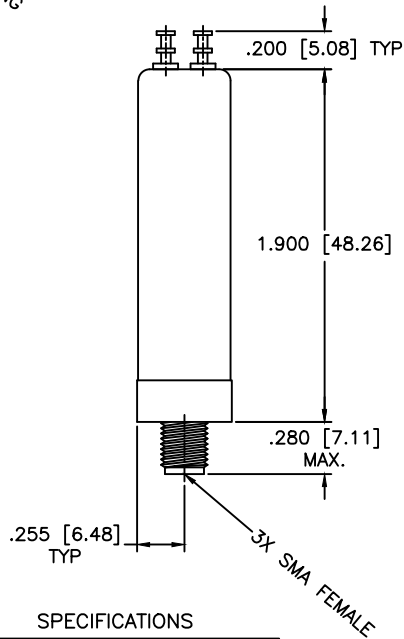
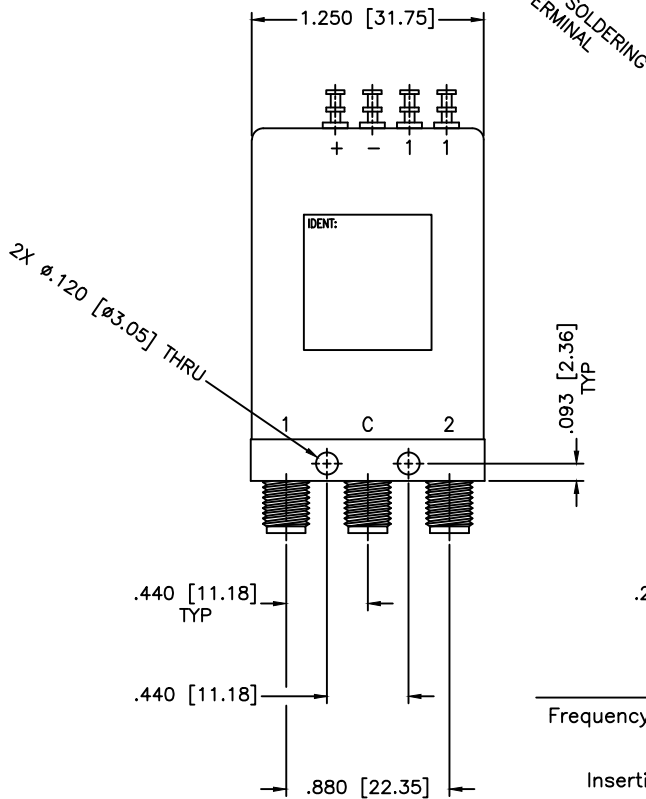
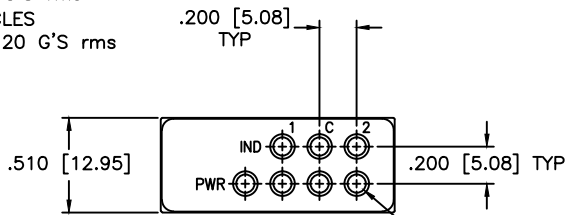
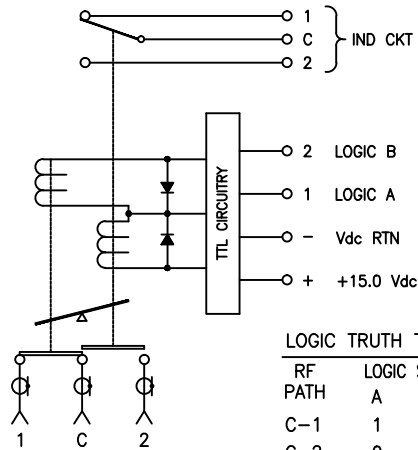
ELECTRICAL

ACTUATOR VOLTAGE: 15.0Vdc
 ACTUATOR CURRENT: 0.100A Max. @ 15.0Vdc
 POWER HANDLING: 200W CW @ 1.0GHz

ENVIRONMENTAL

OPERATING TEMP: -54° C TO +90° C
 SINE VIBRATION: 30 G'S rms
 LIFE: 1,000,000 CYCLES
 RANDOM VIBRATION: 20 G'S rms

SCHEMATIC
 LATCHING, INDICATOR, SUPPRESSION DIODE, TTL



SPECIFICATIONS

Frequency Range: DC-1.0 GHz
 VSWR: 1.20:1 Max.
 Insertion Loss: 0.20dB
 Isolation: 90dB
 Impedance: 50 Ohms

MATERIAL:	
DRAWN: Paiboon Luekhamhan	DATE: 04-03-2001
APPROVED: T. Nguyen	DATE: 04-03-2001

MCLI MICROWAVE COMMUNICATIONS LABORATORIES INC.
 7255 30TH AVE. N. SAINT PETERSBURG, FL 33710
 TEL: (727) 344-6254 FAX: (727) 381-6116
 http://WWW.MCLI.COM

SCALE:	N/A
SHEET:	N/A

UNLESS OTHERWISE SPECIFIED:
 TOLERANCES
 IN (INCHES) OR [mm] (MILLIMETERS)
 FRACTIONS: ± 1/64
 DECIMALS: ±.02 ±.009
 ANGLE: ±1/2°

DRAWING TITLE: COAXIAL RF SWITCHES			
PART NO. K2-1-LID/15			
CAGE CODE: OD2L5	SIZE: A	REV: N/A	DWG NO. 81653
DO NOT SCALE THE DRAWING			

PROPRIETARY NOTICE:
 THE INFORMATION IN THIS DRAWING IS PROPRIETARY
 AND SHALL NOT BE USED OR DISCLOSED WITHOUT WRITTEN
 PERMISSION FROM MICROWAVE COMMUNICATIONS
 LABORATORIES INC. (MCLI)

THIRD ANGLE PROJECTION