

REVISIONS				
ZONE	REV	DESCRIPTION	DATE	APPROVED

**MECHANICAL**

CONTACT: BREAK BEFORE MAKE  
 ACTUATOR: LATCHING  
 SWITCHING SPEED: 20mSEC Max.

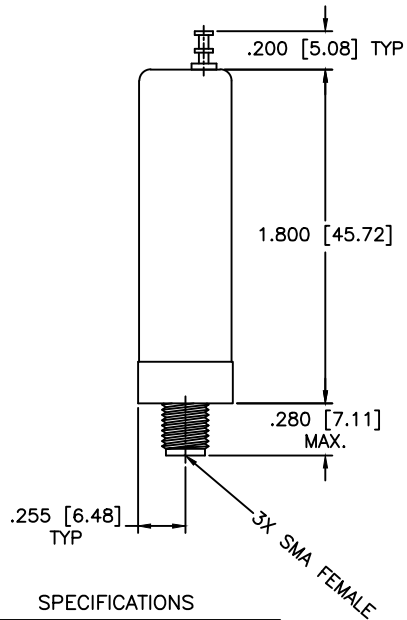
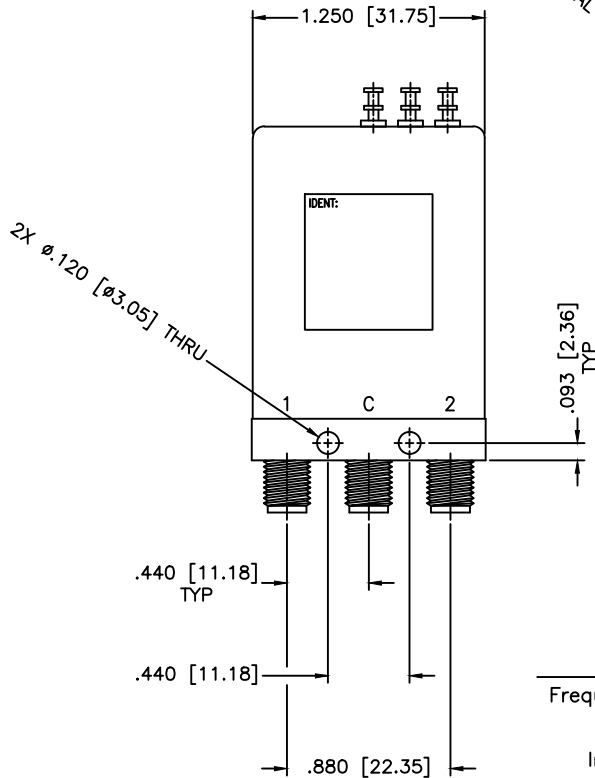
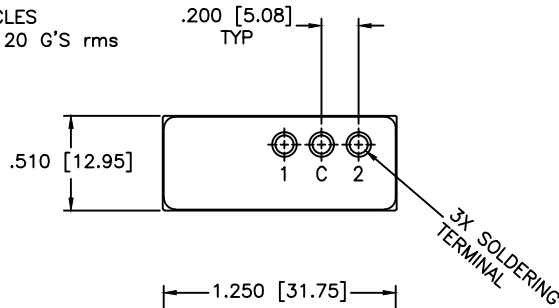
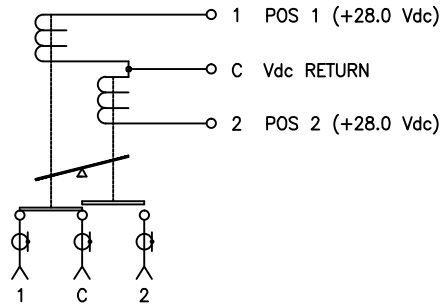
**ELECTRICAL**

ACTUATOR VOLTAGE: 28.0Vdc (22.0–32.0 Vdc)  
 ACTUATOR CURRENT: 0.100A Max. @ 28.0Vdc  
 POWER HANDLING: 200W CW @ 1.0GHz

**ENVIRONMENTAL**

OPERATING TEMP: -54° C TO +90° C  
 SINE VIBRATION: 30 G'S rms  
 LIFE: 1,000,000 CYCLES  
 RANDOM VIBRATION: 20 G'S rms

**SCHEMATIC, LATCHING**



**SPECIFICATIONS**

Frequency Range: DC–1.0 GHz  
 VSWR: 1.20:1 Max.  
 Insertion Loss: 0.20dB  
 Isolation: 90dB  
 Impedance: 50 Ohms

MATERIAL:	
DRAWN:	DATE:
Pai boon Luexhamhan	04-02-2001
APPROVED:	DATE:
T. Nguyen	04-02-2001

**MCLI** MICROWAVE COMMUNICATIONS LABORATORIES INC.  
 7255 30TH AVE. N. SAINT PETERSBURG, FL 33710  
 TEL: (727) 344-6254 FAX: (727) 381-6116  
 http://WWW.MCLI.COM

SCALE:	N/A
SHEET:	N/A

UNLESS OTHERWISE SPECIFIED:  
 TOLERANCES  
 IN (INCHES) OR [mm] (MILLIMETERS)  
 FRACTIONS: ± 1/64  
 DECIMALS: ±.02 ±.009  
 ANGLE: ±1/2°

DRAWING TITLE:  
**COAXIAL RF SWITCHES**

PART NO.  
**K2-1-L**

PROPRIETARY NOTICE:  
 THE INFORMATION IN THIS DRAWING IS PROPRIETARY  
 AND SHALL NOT BE USED OR DISCLOSED WITHOUT WRITTEN  
 PERMISSION FROM MICROWAVE COMMUNICATIONS  
 LABORATORIES INC. (MCLI)

THIRD ANGLE PROJECTION

CAGE CODE:	SIZE:	REV:	DWG NO.
OD2L5	A	N/A	81649
DO NOT SCALE THE DRAWING			